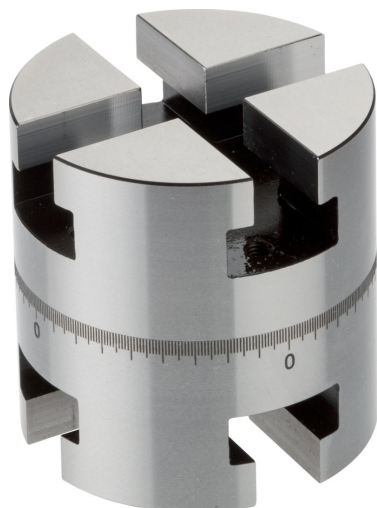


Adjustable Rotating Elements

1148.600

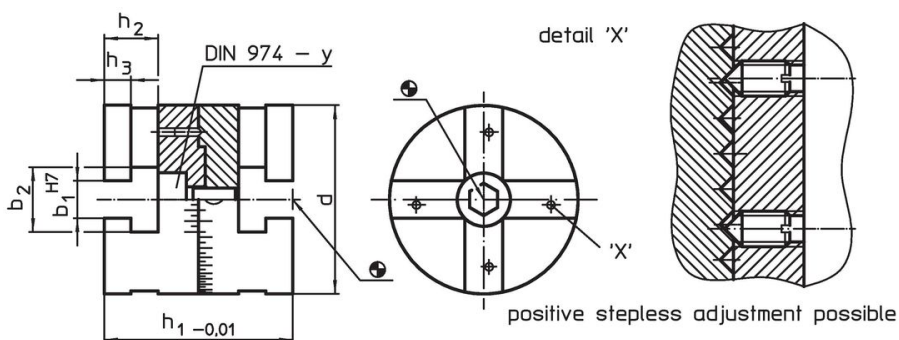


Product Description

Material

- Steel, case-hardened, ground

Drawing



Order information

System	Dimensions							[g]	Art. No.
	d	b ₁	b ₂	h ₁ [mm]	h ₂	h ₃	y		
V70	70	14	24	70	20	10	12	1421	1148.600

Compliance

RoHS compliant

Compliant according to Directive 2011/65/EU and Directive 2015/863.

Does not contain SVHC substances

No SVHC substances with more than 0.1% w/w contained - SVHC list [REACH] as of 27.06.2024.

Does not contain Proposition 65 substances

No Proposition 65 substances included.

<https://www.P65Warnings.ca.gov/>

Free from Conflict Minerals

This product does not contain any substances designated as "conflict minerals" such as tantalum, tin, gold or tungsten from the Democratic Republic of Congo or adjacent countries.