

Spring Plungers • smooth, without collar, with moveable ball

22081.0325



Product Description

Spring plungers can be used for locating or for applying pressure, as a detent or for ejection. The running of the ball minimises wear on the counterpart, this also results in a positive locking behaviour depending on the counterpart. Another advantage of the plastic ball is the electric insulation.

Material

Body

- Stainless steel 1.4305

Bearing

- plastic

Ball

- Stainless steel, hardened

Spring

- Stainless steel

Assembly

The locating hole has to be adapted to each individual application case. We recommend an F8 size location hole for easy assembly and a H9 size when tight fit is required.

More information

Notes

Customized design on request.
Spring plungers are specially tested for spring range and forces.

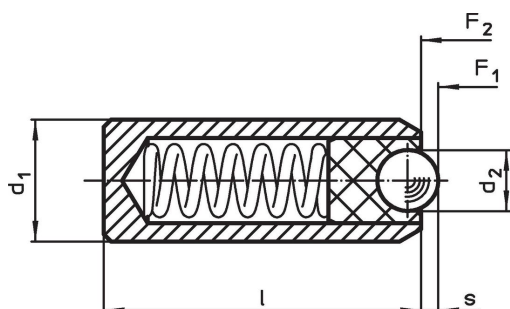
References

Calculation of indexing resistance, please refer to appendix - Technical Data -

Further products

- Spring Plungers, smooth, without collar
- Locators, with bore hole, for spring plungers
- Locators, smooth, for spring plungers

Drawing



Order information

Dimensions			Stroke s [mm]	Spring load ¹⁾		min. max. [°C]		Location hole joint connection F8 / press fit H9 [mm]	[g]	Art. No.
d ₁ ±0.04 [mm]	d ₂ [mm]	l [mm]		F ₁ ~ [N]	F ₂ ~ [N]					
body and ball from stainless steel										
6	3.5	15	0.95	16	24	-30	90	6	2	22081.0325

¹⁾ statistical average value

Compliance

RoHS compliant

Compliant according to Directive 2011/65/EU and Directive 2015/863.

Does not contain SVHC substances

No SVHC substances with more than 0.1% w/w contained - SVHC list [REACH] as of 27.06.2024.

Does not contain Proposition 65 substances

No Proposition 65 substances included.

<https://www.P65Warnings.ca.gov/>

Free from Conflict Minerals

This product does not contain any substances designated as "conflict minerals" such as tantalum, tin, gold or tungsten from the Democratic Republic of Congo or adjacent countries.