

## Locating Bushings · for index bolts and index plungers

22110.0458



### Product Description

Locating bushings are suitable for locating the locking pin of the index bolt or index plunger. Can also be mounted in mounting blocks, die-cast EH 22110. and mounting blocks EH 22120..

### Material

- Steel, nitrided

### More information

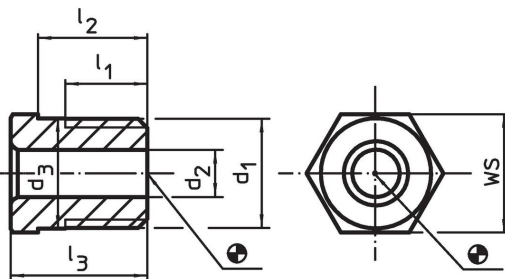
#### Notes

The thread is matched to the mounting blocks for index bolts and index plungers, die-cast (EH 22110.) and mounting blocks for index bolts and index plungers (EH 22120.).

#### Further products

- Mounting Blocks, for index bolts and index plungers, die-cast
- Mounting Blocks, for index bolts and index plungers

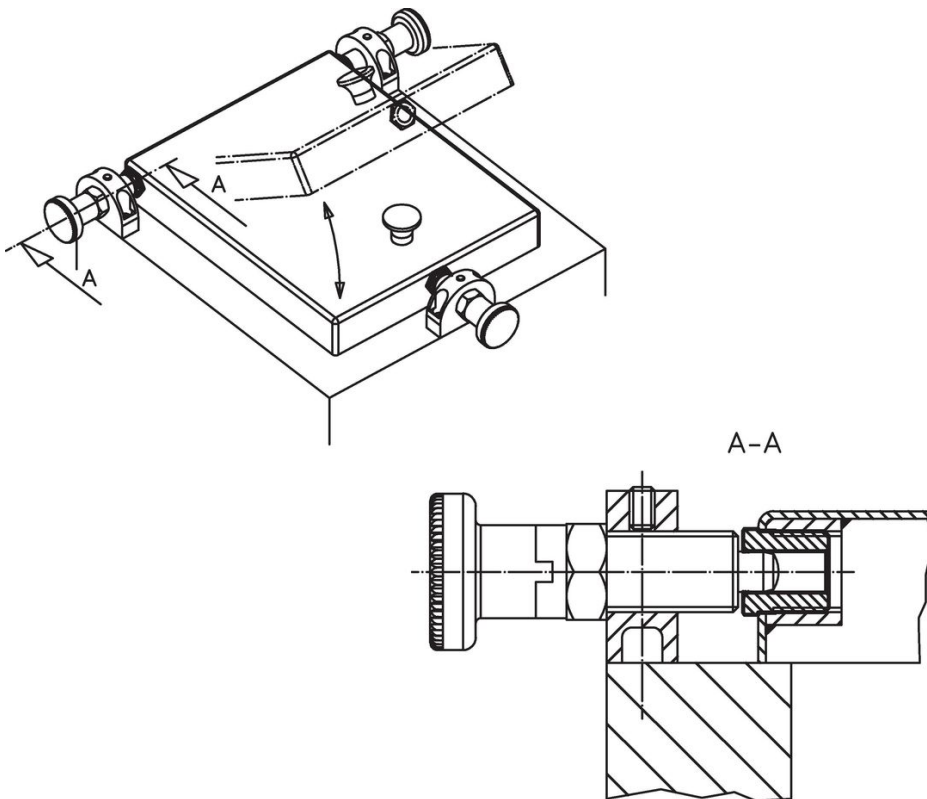
### Drawing



### Order information

d <sub>1</sub>	Dimensions					For pin [mm]	WS [mm]	🌡️ max. [°C]	🏗️ [g]	Art. No.
	d <sub>2</sub> +0.1	d <sub>3</sub> ±0.3	l <sub>1</sub> min.	l <sub>2</sub> -0.3	l <sub>3</sub>					
M16 x 1,5	8.2	16.1	11	12	15	8	17	250	18	22110.0458

## Application example



## Compliance

### RoHS compliant

Contains lead - compliant according to exceptions 6a / 6b / 6c.

### Contains SVHC substances >0,1% w/w

Contains lead - SVHC list [REACH] as of 27.06.2024.

### Contains Proposition 65 substances



Lead can cause cancer and reproductive harm from exposure  
<https://www.P65Warnings.ca.gov/>

### Free from Conflict Minerals

This product does not contain any substances designated as "conflict minerals" such as tantalum, tin, gold or tungsten from the Democratic Republic of Congo or adjacent countries.