

Index Plungers · with mounting flange, horizontal, stainless steel

22110.2330



**Product Description**

Index plungers are used for indexing bores.

**Material**

**Housing**

- Stainless steel 1.4308, precision casting, bright, matt blasted

**Locking pin**

- Stainless steel 1.4305

**Knob**

- Thermoplastic PA 6, black, dull

**Assembly**

Assembly by means of washers ISO 7092.

**Operation**

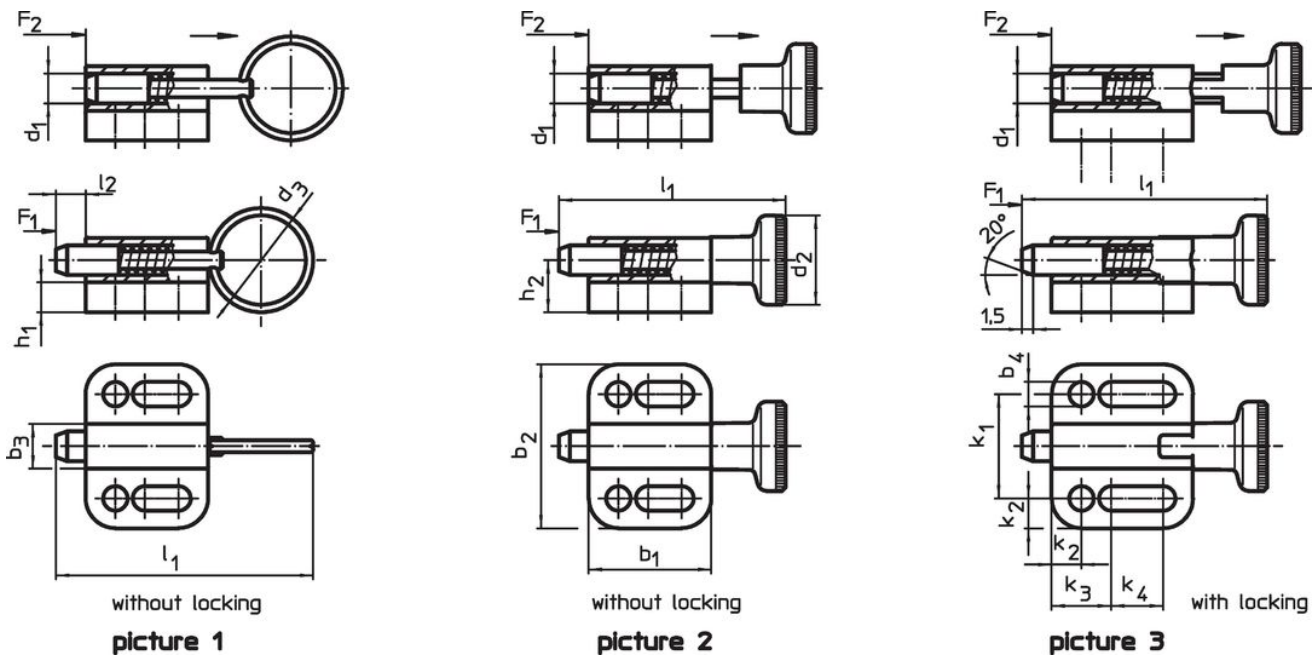
When using locking index plungers, the knob is pulled-out, turned 90° and secured by a notched catch (when locking pin should not overhang).

**More information**

**Notes**

Knob not removable.

**Drawing**



**Order information**

Dimensions														Spring load <sup>1)</sup>		Temperature		Weight	Art. No.
d <sub>1</sub>	d <sub>2</sub>	b <sub>1</sub>	b <sub>2</sub>	b <sub>3</sub>	b <sub>4</sub>	h <sub>1</sub>	h <sub>2</sub>	k <sub>1</sub>	k <sub>2</sub>	k <sub>3</sub>	k <sub>4</sub>	l <sub>1</sub>	l <sub>2</sub>	F <sub>1</sub>	F <sub>2</sub>	min.	max.		
h11					-0.2			±0.05					min.		~	~	[°C]		
<b>with knob, without locking – picture 2</b>																			
10	25	35	39	14.5	6.5	6	14.5	27	6	15	13.5	67.5	10	4	25	-30	80	99	22110.2330

<sup>1)</sup> statistical average value

## Compliance

### RoHS compliant

Compliant according to Directive 2011/65/EU and Directive 2015/863.

### Does not contain SVHC substances

No SVHC substances with more than 0.1% w/w contained - SVHC list [REACH] as of 27.06.2024.

### Does not contain Proposition 65 substances

No Proposition 65 substances included.

<https://www.P65Warnings.ca.gov/>

### Free from Conflict Minerals