

Index Plungers · with mounting flange, horizontal, stainless steel

22110.2344



Product Description

Index plungers are used for indexing bores.

Material

Housing

- Stainless steel 1.4308, precision casting, bright, matt blasted

Locking pin

- Stainless steel 1.4305

Knob

- Thermoplastic PA 6, black, dull

Assembly

Assembly by means of washers ISO 7092.

Operation

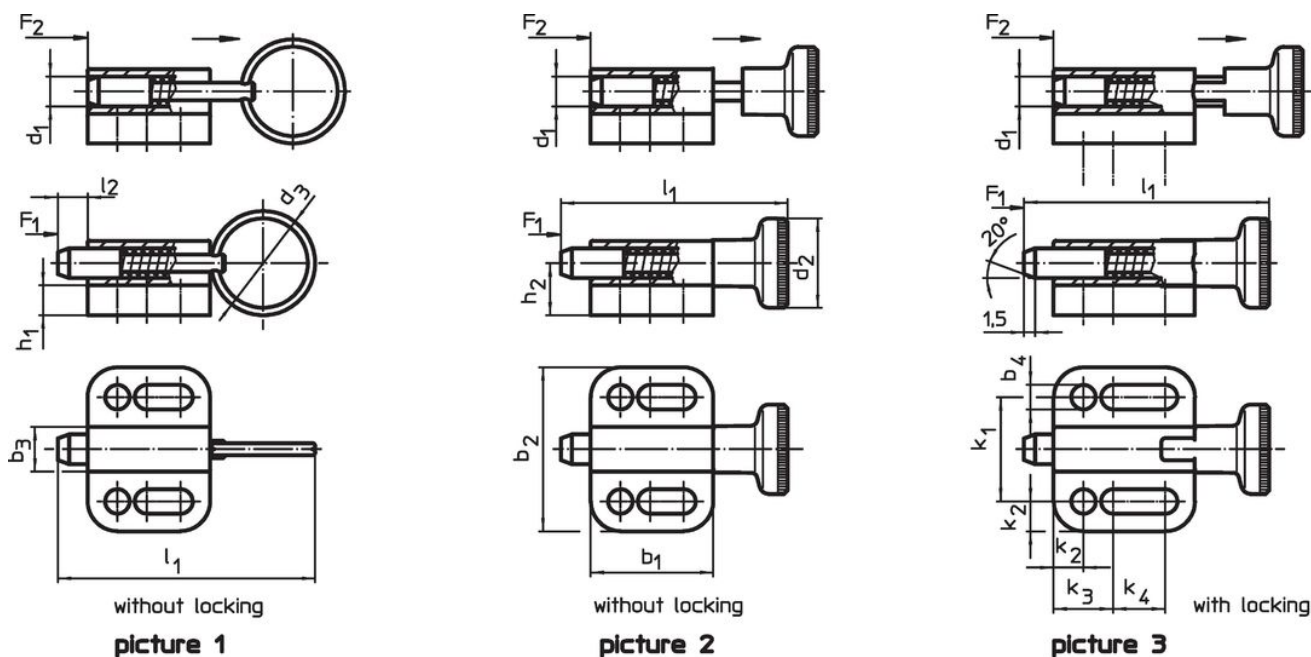
When using locking index plungers, the knob is pulled-out, turned 90° and secured by a notched catch (when locking pin should not overhang).

More information

Notes

Knob not removable.

Drawing



Order information

Dimensions														Spring load ¹⁾		Temperature		Weight	Art. No.						
d ₁	d ₂	b ₁	b ₂	b ₃	b ₄	h ₁	h ₂	k ₁	k ₂	k ₃	k ₄	l ₁	l ₂	F ₁	F ₂	min.	max.	[g]							
h11					-0.2			±0.05					min.	~	~	[°C]	[°C]								
[mm]																				[N]		[°C]		[g]	
with knob and locking – picture 3																									
4	12	19	22	6	3.3	4	7	14	4	8	7	33	4	3	12	-30	80	15	22110.2344						

¹⁾ statistical average value

Compliance

RoHS compliant

Compliant according to Directive 2011/65/EU and Directive 2015/863.

Does not contain SVHC substances

No SVHC substances with more than 0.1% w/w contained - SVHC list [REACH] as of 27.06.2024.

Does not contain Proposition 65 substances

No Proposition 65 substances included.

<https://www.P65Warnings.ca.gov/>

Free from Conflict Minerals