

## Index Plungers · with mounting flange

22120.0928



### Product Description

Index plungers are used for indexing bores.  
For fixing onto thin walled parts.  
The small dimensions are a feature of these index plungers.

#### Material

##### Flange

- Zinc die-cast, zinc-plated by galvanization

##### Locking pin

- Steel, hardened

##### Knob

- Thermoplastic PA 6, black, dull

#### Operation

When using locking index plungers the knob is pulled out and turned 90°.

#### More information

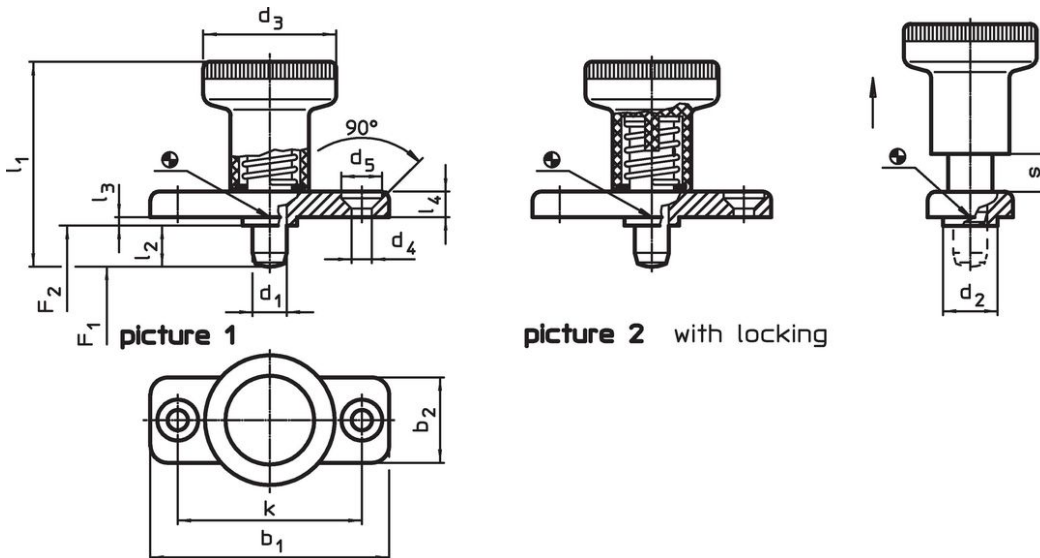
#### Notes

Knob not removable.

#### Further products

- Locating Bushings, for index bolts and index plungers

### Drawing



### Order information

Dimensions													Spring load <sup>1)</sup>		Temperature		Weight [g]	Art. No.
d <sub>1</sub>	l <sub>2</sub>	b <sub>1</sub>	b <sub>2</sub>	d <sub>2</sub>	d <sub>3</sub>	d <sub>4</sub>	d <sub>5</sub>	k	l <sub>1</sub>	l <sub>3</sub>	l <sub>4</sub>	s	F <sub>1</sub>	F <sub>2</sub>	min.	max.		
-0.02				-0.02						-0.15				~	~			
-0.05				-0.1														
[mm]													[N]		[°C]	[g]		
without locking – picture 1, Steel																		
8	8	46	20	12	31	5.3	10.4	34	44	2.5	5.5	8	15.5	28	-30	80	60	22120.0928

<sup>1)</sup> statistical average value

## Application example



## Compliance

### RoHS compliant

Contains lead - compliant according to exceptions 6a / 6b / 6c.

### Contains SVHC substances >0,1% w/w

Contains lead - SVHC list [REACH] as of 27.06.2024.

### Contains Proposition 65 substances



Lead can cause cancer and reproductive harm from exposure  
<https://www.P65Warnings.ca.gov/>

### Free from Conflict Minerals

This product does not contain any substances designated as "conflict minerals" such as tantalum, tin, gold or tungsten from the Democratic Republic of Congo or adjacent countries.