

## Ball Lock Pins • self-locking, with T-Handle

22340.0049



### Product Description

For quick fastening, locking, adjusting, changing and securing. Quickly and easily unlockable for frequently repeated connections.

All versions are corrosion resistant. When using stainless steel 1.4542: high-strength, hardened, abrasion resistant pin with high load capacity.

Version with ergonomic grip.

### Material

#### Pin part

- Stainless steel 1.4305

#### Handle

- Aluminium, black similar to RAL 9005

#### Press button

- Stainless steel, black

#### Spring

- Stainless steel

### Operation

The balls are unlocked by pressing the button.

### Characteristic

Types from stainless steel 1.4542 with marking below the balls.

### More information

### Notes

Customized design on request.

- This product is also available in INCH dimensions.

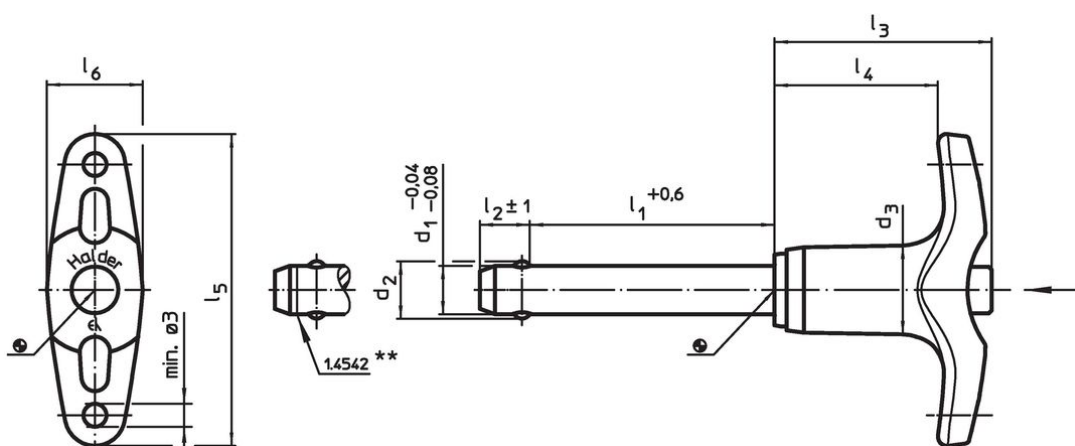
### Accessories

Can easily be fitted with retaining cable EH 22400.

### Further products


- Locating Bushings, for ball lock pins and socket pins
- Locating Bushings, with flange, for ball lock pins and socket pins
- Retaining Cables
- Positioning Bushings, with collar, DIN 172 A
- Positioning Bushings, without collar, DIN 179 A
- Ball Lock Pins with T-Handle, single acting - comply with NAS / MS17985

### Drawing



\*\* Types from stainless steel 1.4542 with marking.

### Order information

| Dimensions      |                |                |                |                      |                |                |                |                | Location hole<br>H11<br>[mm] | <br>min.   max.<br>[°C] |     | <br>[g] | Shearing resistance,<br>two-shear <sup>1)</sup><br>min.<br>[kN] | Art. No.   |  |
|-----------------|----------------|----------------|----------------|----------------------|----------------|----------------|----------------|----------------|------------------------------|--|-----|--|---|------------|--|
| d <sub>1</sub>  | l <sub>1</sub> | d <sub>2</sub> | d <sub>3</sub> | l <sub>2</sub><br>±1 | l <sub>3</sub> | l <sub>4</sub> | l <sub>5</sub> | l <sub>6</sub> |                              |  |     |  |   |            |  |
| -0.04<br>-0.08  | +0.6           |                |                |                      |                |                |                |                |                              |  |     |  |   |            |  |
| [mm]            |                |                |                |                      |                |                |                |                |                              |  |     |  |   |            |  |
| Stainless steel |                |                |                |                      |                |                |                |                |                              |  |     |  |   |            |  |
| 10              | 45             | 12             | 14.7           | 9.6                  | 35.8           | 26.9           | 51.5           | 15.8           | 10                           | -30  | 150 | 59   | 60  | 22340.0049 |  |

<sup>1)</sup> Shearing resistance similar to DIN 50141

### Application example



### Compliance

#### RoHS compliant

Compliant according to Directive 2011/65/EU and Directive 2015/863.

#### Does not contain SVHC substances

No SVHC substances with more than 0.1% w/w contained - SVHC list [REACH] as of 27.06.2024.

#### Does not contain Proposition 65 substances

No Proposition 65 substances included.

<https://www.P65Warnings.ca.gov/>

#### Free from Conflict Minerals

This product does not contain any substances designated as "conflict minerals" such as tantalum, tin, gold or tungsten from the Democratic Republic of Congo or adjacent countries.