

Handwheels • DIN 950 light metal

24590.0531



Product Description

Hub machined; rim turned and mirror-finished on all sides, non-machined surfaces cleanly blasted.

Material

Handwheel  
• Light metal Al

Machine handle DIN 39 EH 24450.

• Steel, turned, zinc-plated by galvanization, passivated

Assembly

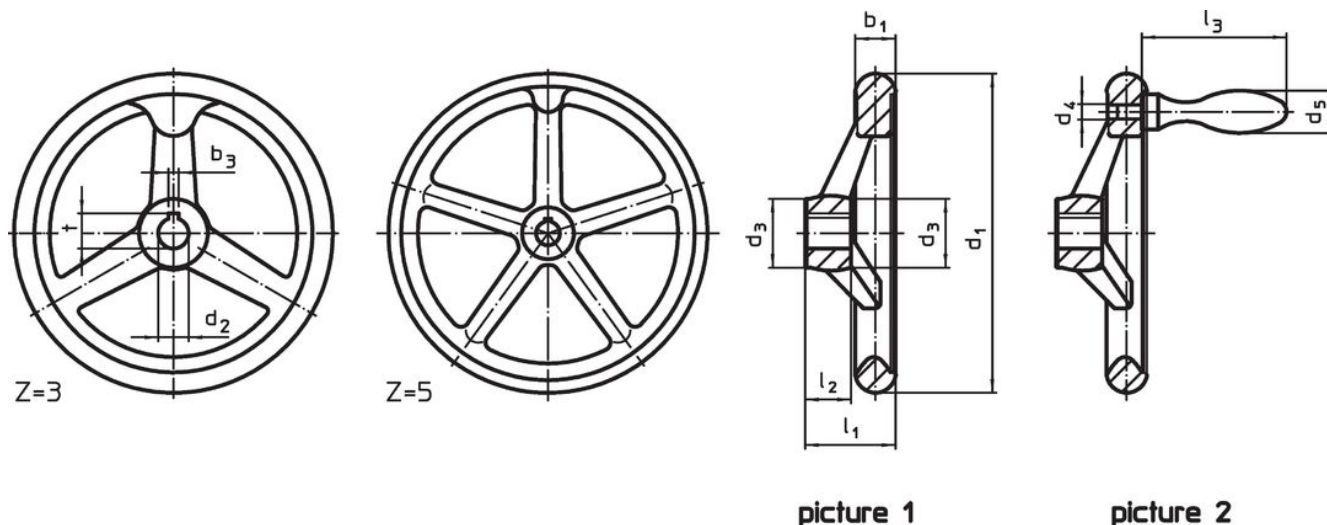
Shaft-end washers EH 22270. for axial fastening.

More information

Further products


- Shaft-End Washers
- Rotating Machine Handles, DIN 98

Drawing



The orientation of the hub keyway may be different than shown in the drawing.

Order information

| Dimensions                                                                                       |                      |                |                |                |                     |                |                     | Hub keyway, DIN 6885 sheet 1 |      | Number of spokes z | Corresponding machine handle DIN 39 / DIN 98 |  [g] | Art. No.   |
|--------------------------------------------------------------------------------------------------|----------------------|----------------|----------------|----------------|---------------------|----------------|---------------------|------------------------------|------|--------------------|----------------------------------------------|-------------------------------------------------------------------------------------------|------------|
| d <sub>1</sub>                                                                                   | d <sub>2</sub><br>H7 | d <sub>3</sub> | d <sub>4</sub> | d <sub>5</sub> | l <sub>1</sub><br>~ | l <sub>2</sub> | l <sub>3</sub><br>~ | b <sub>3</sub>               | t    |                    |                                              |                                                                                           |            |
| with hub keyway, with machine handle EH 24450. assembled, form N-F/G (formerly: F 3) – picture 2 |                      |                |                |                |                     |                |                     |                              |      |                    |                                              |                                                                                           |            |
| 200                                                                                              | 22                   | 38             | M10            | 25             | 45                  | 24             | 80                  | 6                            | 24.8 | 3                  | 25                                           | 960                                                                                       | 24590.0531 |

## Application example



## Compliance

### RoHS compliant

Compliant according to Directive 2011/65/EU and Directive 2015/863.

### Does not contain SVHC substances

No SVHC substances with more than 0.1% w/w contained - SVHC list [REACH] as of 27.06.2024.

### Does not contain Proposition 65 substances

No Proposition 65 substances included.

<https://www.P65Warnings.ca.gov/>

### Free from Conflict Minerals

This product does not contain any substances designated as "conflict minerals" such as tantalum, tin, gold or tungsten from the Democratic Republic of Congo or adjacent countries.