

## Spring Plungers · with ball and slot - INCH

### 2B050.0010



#### Product Description

To be used for positioning, indexing, locking, latching as well as for other similar pressure applications.  
Spring plungers can be used for locating or for applying pressure, as a detent or for ejection.

#### Material

##### Body

- Free cutting steel, blackened

##### Ball

- Stainless steel, hardened

##### Spring

- Stainless steel

#### Characteristic

Light spring load: marked with one line



Light spring load



Standard spring load



Heavy spring load

#### More information

#### Notes

Customized design on request.  
Spring plungers are specially tested for spring range and forces.

- This product is manufactured in INCH dimensions.

#### References

A conversion table can be found in the technical data following these product information pages.

Thread lock: polyamide spot coating (for details please refer to the technical appendix).  
Calculation of indexing resistance, please refer to appendix - Technical Data -

#### Further products

- Spring Plungers, with ball and slot
- Locators, with bore hole, for spring plungers
- Locators, smooth, for spring plungers

#### Drawing

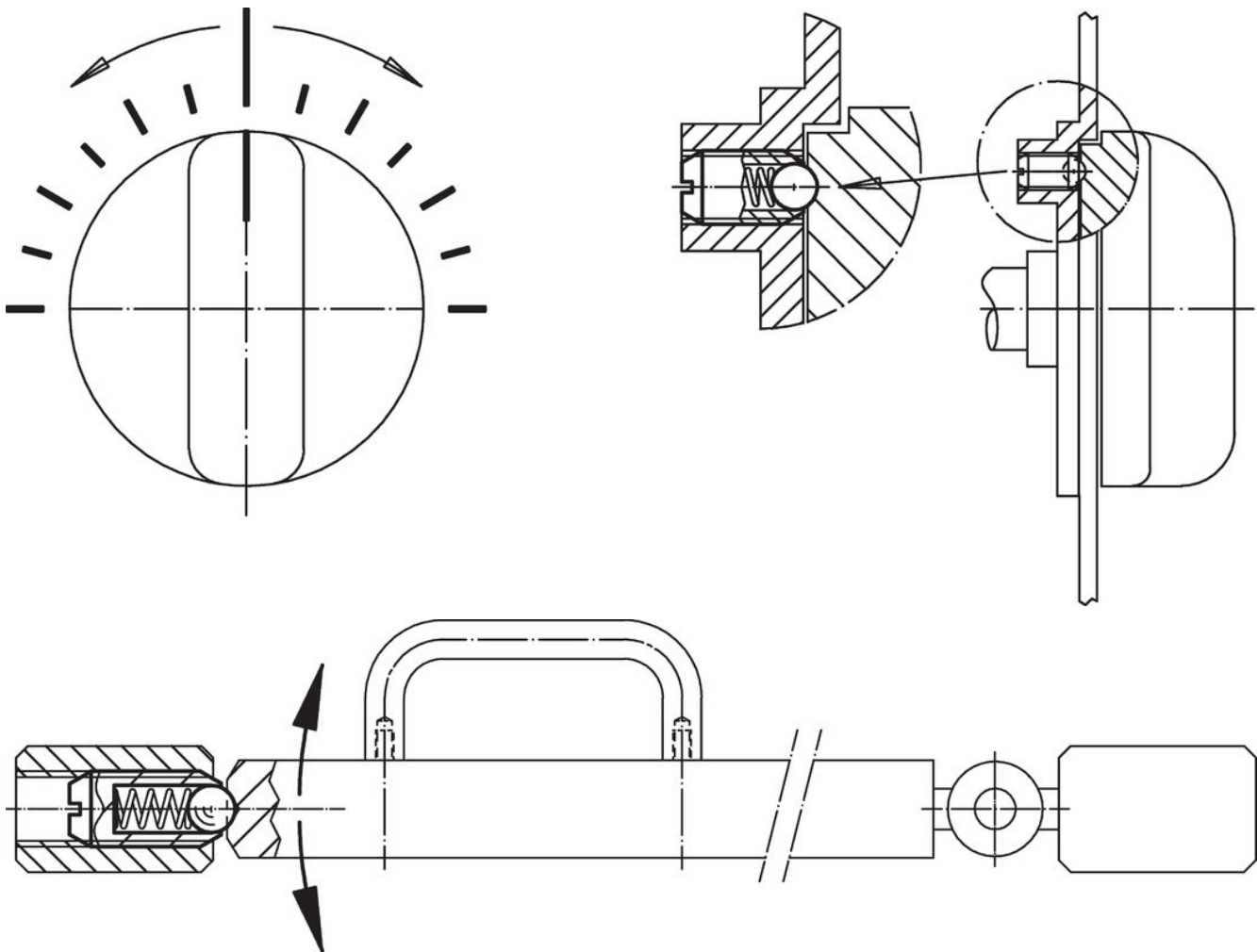


#### Order information

Dimensions				Stroke s	Spring load <sup>1)</sup>		Temperature		Weight [oz]	Art. No.	
d <sub>1</sub>	Thread	d <sub>2</sub>	l		F <sub>1</sub> ~	F <sub>2</sub> ~	min.	max.			
[in]		[in]	[in]	[in]	[lb]		[°F]				
free cutting steel, light spring load, Without thread lock											
#10-32	0.19	2A-UNF	3/32	33/64	0.025	0.9	1.5	-22	482	0.049	2B050.0010

<sup>1)</sup> statistical average value

### Application example



### Compliance

#### RoHS compliant

Contains lead - compliant according to exceptions 6a / 6b / 6c.

#### Contains SVHC substances >0,1% w/w

Contains lead - SVHC list [REACH] as of 27.06.2024.

#### Contains Proposition 65 substances



Lead can cause cancer and reproductive harm from exposure  
<https://www.P65Warnings.ca.gov/>

#### Free from Conflict Minerals

This product does not contain any substances designated as "conflict minerals" such as tantalum, tin, gold or tungsten from the Democratic Republic of Congo or adjacent countries.