

Spring Plungers · with moveable ball and slot

EH 22051.



Product Description

Spring plungers can be used for locating or for applying pressure, as a detent or for ejection. The running of the ball minimises wear on the counterpart, this also results in a positive locking behaviour depending on the counterpart. Another advantage of the plastic ball is the electric insulation.

Material

Body

- Free cutting steel, blackened
- Stainless steel 1.4305

Bearing

- plastic

Ball

- Ball-bearing steel, hardened
- Stainless steel, hardened

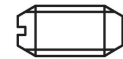
Spring

- Stainless steel

Characteristic

Standard spring load: no marking

Heavy spring load: marked with two lines



Standard spring load



Heavy spring load

More information

Notes

Customized design on request.

Spring plungers are specially tested for spring range and forces.

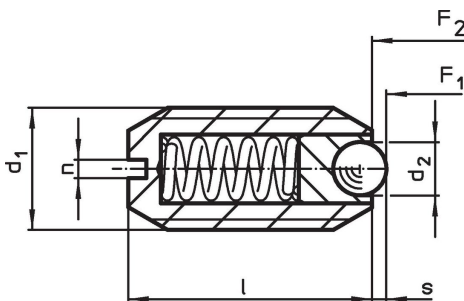
References

Thread lock on request, please refer to appendix - Technical Data -
Calculation of indexing resistance, please refer to appendix - Technical Data -

Further products

- Locators, with bore hole, for spring plungers
- Locators, smooth, for spring plungers
- Holders, for spring plungers

Drawing



Order information

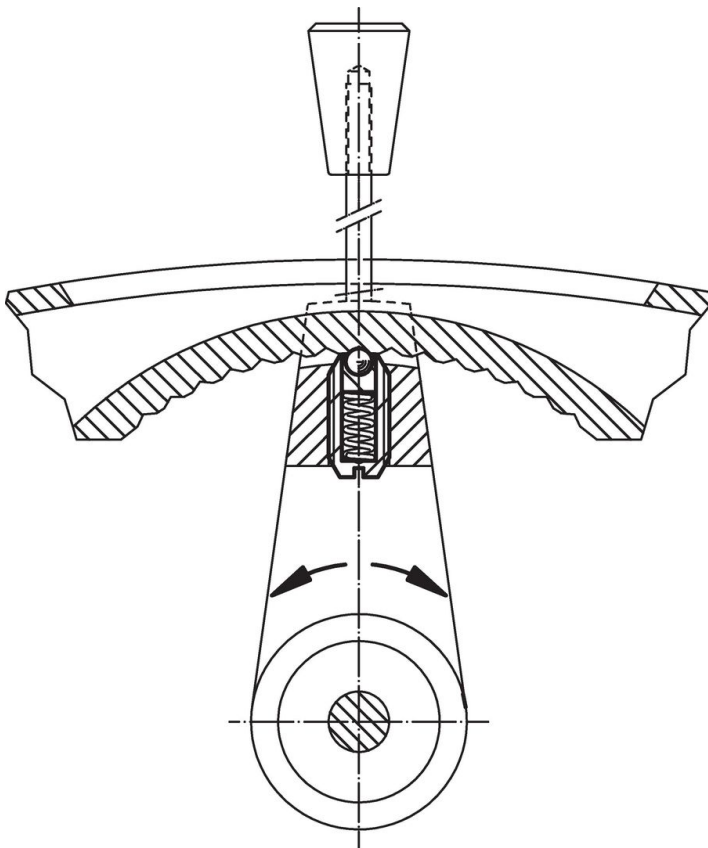
Dimensions				Stroke s [mm]	Spring load ¹⁾		min. max.		[g]	Art. No.
d ₁	d ₂	l	n		F ₁ ~	F ₂ ~	[°C]			
[mm]					[N]					
free cutting steel, standard spring load										
M 5	2.0	12	0.8	0.50	4.8	6.8	-30	90	0.8	22051.0005
M 6	2.5	14	1.0	0.70	6.3	10.0	-30	90	1.5	22051.0006
M 8	3.5	16	1.2	0.95	16.0	24.0	-30	90	3.3	22051.0008
M10	4.5	19	1.5	1.40	18.8	31.7	-30	90	5.9	22051.0010
M12	6.5	22	2.0	2.50	24.0	49.0	-30	90	9.3	22051.0012
M16	8.5	24	2.0	3.10	38.0	68.0	-30	90	20.0	22051.0016

¹⁾ statistical average value

d ₁	Dimensions			Stroke s [mm]	Spring load ¹⁾		min. max.		[g]	Art. No.
	d ₂	l	n		F ₁ ~ [N]	F ₂ ~ [N]	[°C]			
[mm]										
free cutting steel, heavy spring load										
M 5	2.0	12	0.8	0.50	10.0	14.0	-30	90	0.9	22051.0205
M 6	2.5	14	1.0	0.70	11.0	16.0	-30	90	1.5	22051.0206
M 8	3.5	16	1.2	0.95	23.0	40.0	-30	90	3.3	22051.0208
M10	4.5	19	1.5	1.40	28.0	54.3	-30	90	6.0	22051.0210
M12	6.5	22	2.0	2.50	36.5	77.3	-30	90	9.4	22051.0212
M16	8.5	24	2.0	3.10	50.0	88.7	-30	90	20.0	22051.0216
stainless steel, standard spring load										
M 5	2.0	12	0.8	0.50	4.8	6.8	-30	90	0.9	22051.0405
M 6	2.5	14	1.0	0.70	6.3	10.0	-30	90	1.5	22051.0406
M 8	3.5	16	1.2	0.95	16.0	24.0	-30	90	3.3	22051.0408
M10	4.5	19	1.5	1.40	18.8	31.7	-30	90	5.9	22051.0410
M12	6.5	22	2.0	2.50	24.0	49.0	-30	90	9.4	22051.0412
M16	8.2	24	2.0	3.10	38.0	68.0	-30	90	20.0	22051.0416
stainless steel, heavy spring load										
M 5	2.0	12	0.8	0.50	10.0	14.0	-30	90	0.9	22051.0605
M 6	2.5	14	1.0	0.70	11.0	16.0	-30	90	1.5	22051.0606
M 8	3.5	16	1.2	0.95	23.0	40.0	-30	90	3.4	22051.0608
M10	4.5	19	1.5	1.40	28.0	54.3	-30	90	6.0	22051.0610
M12	6.5	22	2.0	2.50	36.5	77.3	-30	90	9.5	22051.0612
M16	8.5	24	2.0	3.10	50.0	88.7	-30	90	20.0	22051.0616

¹⁾ statistical average value

Application example



Compliance

For detailed compliance information please select the desired article number.