

Spring Plungers • long version EH 22070.



Product Description

To be used for ejecting, as a detent, for applying pressure or as a shock element.

Material

Pin

- Steel, case-hardened, black
- Stainless Steel 1.4305, nitrided

Body

- Free cutting steel, blackened
- Stainless steel 1.4305
- Heat-treated steel, tempered, blackened

Spring

- Stainless steel

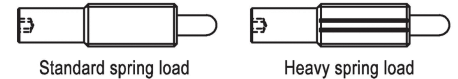
Assembly

Spring plungers can be mounted and removed by means of the slot or internal hexagon. Please use a special assembly tool for mounting with a slot (pin side).

Characteristic

Standard spring load: no marking

Heavy spring load: marked with two lines



Standard spring load

Heavy spring load

More information

Notes

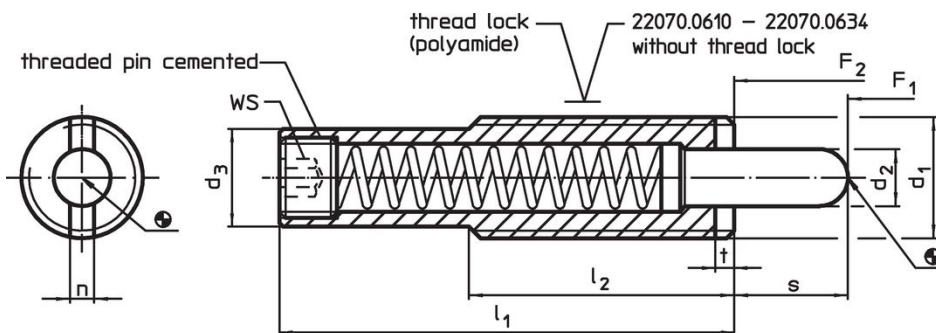
Customized design on request.

Spring plungers are specially tested for spring range and forces.

References

Thread lock: polyamide all-around coating (for details please refer to the technical appendix).

Drawing



Order information

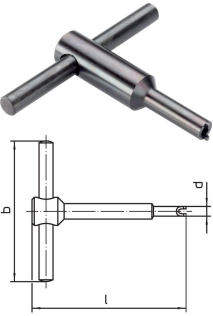
Dimensions							Stroke s	WS	Spring load ¹⁾		min. max.		[g]	Art. No.
d ₁	l ₁	d ₂	d ₃	l ₂	n	t			F ₁	F ₂	min.	max.		
[mm]							[mm]	[mm]	[N]	[N]	[°C]			
body from free cutting steel, standard spring load, with thread lock														
M10	35	4.0	7.8	25	1.5	1.4	8	3	6	16	-30	90	13	22070.0408
M12	43	5.5	9.5	35	2.7	2.0	10	4	4	18	-30	90	22	22070.0412
M16	48	8.0	13.4	35	3.2	3.0	10	6	7	24	-30	90	47	22070.0430
M16	58	8.0	13.4	35	3.2	3.0	10	6	15	42	-30	90	53	22070.0432
M16	58	8.0	13.4	35	3.2	3.0	15	6	9	33	-30	90	54	22070.0436
M16	58	8.0	13.4	35	3.2	3.0	20	6	4	23	-30	90	55	22070.0440
M16	83	8.0	13.4	35	3.2	3.0	20	6	11	43	-30	90	69	22070.0442
M16	98	8.0	13.4	35	3.2	3.0	25	6	13	41	-30	90	81	22070.0444
M16	98	8.0	13.4	35	3.2	3.0	30	6	13	47	-30	90	83	22070.0450

¹⁾ statistical average value

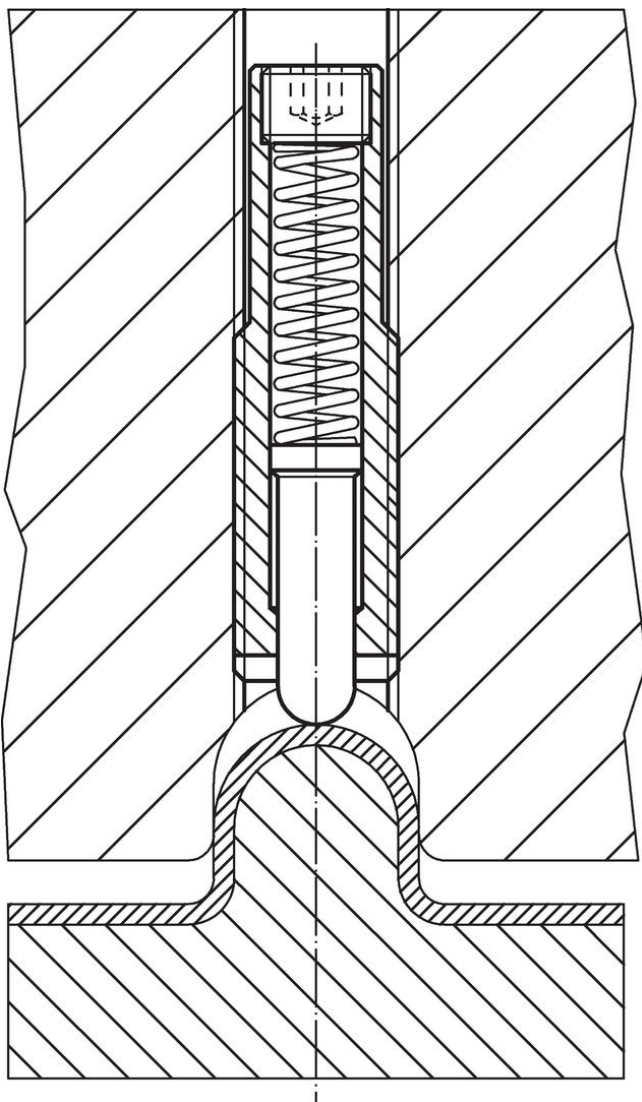
d ₁	l ₁	Dimensions					Stroke s	WS	Spring load ¹⁾		min. max.		[g]	Art. No.
		d ₂	d ₃	l ₂	n	t			F ₁ ~	F ₂ ~	[°C]			
[mm]							[mm]	[mm]	[N]					
M16	118	8.0	13.4	35	3.2	3.0	30	6	24	110	-30	90	97	22070.0452
M16	148	8.0	13.4	35	3.2	3.0	40	6	13	63	-30	90	117	22070.0455
M16	148	8.0	13.4	35	3.2	3.0	50	6	7	43	-30	90	119	22070.0460
M24	60	10.0	19.6	45	3.7	3.0	15	8	14	87	-30	90	132	22070.0480
stainless steel, standard spring load, with thread lock														
M10	35	4.0	7.8	25	1.5	1.4	8	3	6	16	-30	90	13	22070.0208
M12	43	5.5	9.5	35	2.7	2.0	10	4	4	18	-30	90	23	22070.0212
M16	48	8.0	13.4	35	3.2	3.0	10	6	7	24	-30	90	47	22070.0230
M16	58	8.0	13.4	35	3.2	3.0	15	6	9	33	-30	90	54	22070.0236
M16	58	8.0	13.4	35	3.2	3.0	20	6	4	23	-30	90	55	22070.0240
M16	98	8.0	13.4	35	3.2	3.0	25	6	13	41	-30	90	82	22070.0244
M16	98	8.0	13.4	35	3.2	3.0	30	6	13	47	-30	90	84	22070.0250
M16	148	8.0	13.4	35	3.2	3.0	40	6	13	63	-30	90	118	22070.0255
M16	148	8.0	13.4	35	3.2	3.0	50	6	7	43	-30	90	119	22070.0260
M24	60	10.0	19.6	45	3.7	3.0	15	8	14	87	-30	90	134	22070.0280
body from free cutting steel, heavy spring load, with thread lock														
M10	35	4.0	7.8	25	1.5	1.4	8	3	12	22	-30	90	13	22070.0508
M12	43	5.5	9.5	35	2.7	2.0	10	4	7	46	-30	90	23	22070.0512
M16	48	8.0	13.4	35	3.2	3.0	10	6	10	43	-30	90	47	22070.0530
M16	58	8.0	13.4	35	3.2	3.0	10	6	14	84	-30	90	54	22070.0532
M16	58	8.0	13.4	35	3.2	3.0	15	6	10	57	-30	90	55	22070.0536
M16	58	8.0	13.4	35	3.2	3.0	20	6	8	33	-30	90	56	22070.0540
M16	83	8.0	13.4	35	3.2	3.0	20	6	18	72	-30	90	71	22070.0542
M16	98	8.0	13.4	35	3.2	3.0	25	6	20	70	-30	90	81	22070.0544
M16	98	8.0	13.4	35	3.2	3.0	30	6	20	80	-30	90	83	22070.0550
M16	148	8.0	13.4	35	3.2	3.0	40	6	21	113	-30	90	121	22070.0555
M16	148	8.0	13.4	35	3.2	3.0	50	6	13	75	-30	90	121	22070.0560
M24	60	10.0	19.6	45	3.7	3.0	15	8	40	192	-30	90	134	22070.0580
stainless steel, heavy spring load, with thread lock														
M10	35	4.0	7.8	25	1.5	1.4	8	3	12	22	-30	90	13	22070.0308
M12	43	5.5	9.5	35	2.7	2.0	10	4	7	46	-30	90	23	22070.0312
M16	48	8.0	13.4	35	3.2	3.0	10	6	10	43	-30	90	47	22070.0330
M16	58	8.0	13.4	35	3.2	3.0	15	6	10	57	-30	90	55	22070.0336
M16	58	8.0	13.4	35	3.2	3.0	20	6	8	33	-30	90	55	22070.0340
M16	98	8.0	13.4	35	3.2	3.0	25	6	20	70	-30	90	82	22070.0344
M16	98	8.0	13.4	35	3.2	3.0	30	6	20	80	-30	90	83	22070.0350
M16	148	8.0	13.4	35	3.2	3.0	40	6	21	113	-30	90	122	22070.0355
M16	148	8.0	13.4	35	3.2	3.0	50	6	13	75	-30	90	122	22070.0360
M24	60	10.0	19.6	45	3.7	3.0	15	8	40	192	-30	90	135	22070.0380
body from heat treated steel, standard spring load, without locking														
M16	80	7.3	13.4	35	3.2	3.0	11	8	17	74	-	250	69	22070.0610
M16	120	7.3	13.4	35	3.2	3.0	21	8	21	81	-	250	96	22070.0612
M16	150	7.3	13.4	35	3.2	3.0	31	8	21	89	-	250	117	22070.0614
M16	200	7.3	13.4	35	3.2	3.0	41	8	16	80	-	250	149	22070.0616
M22	130	9.0	19.0	50	3.5	4.0	21	8	80	214	-	250	211	22070.0630
M22	168	9.0	19.0	50	3.5	4.0	31	8	70	210	-	250	278	22070.0632
M22	226	9.0	19.0	50	3.5	4.0	41	8	76	208	-	250	358	22070.0634

¹⁾ statistical average value

Accessories

	Dimensions				[g]	Art. No.
	d ₁	b	d	l		
Assembly Tool for mounting via slot (pin sided)						
	M10	80	7.8	70	87	22070.0830
	M12	80	9.5	75	88	22070.0832
	M16	80	13.4	95	110	22070.0834
	M22	100	19.0	100	245	22070.0836
	M24	100	19.9	100	258	22070.0838

Application example



Compliance

For detailed compliance information please select the desired article number.