

Lateral Plungers • smooth, without seal, with female thread  
EH 22150.



Product Description

To be used for positioning and applying pressure, e.g. during painting and sandblasting.

Material

Body

- Aluminium Al

Threaded washer

- Steel, blackened

Spring

- Stainless steel
- Steel, blackened
- Steel, zinc-plated by galvanization

Assembly

Formula for calculating the center distance for the mounting hole:

$$l_0 = z/2 + w + x,$$

$l_0$  = center distance,

$y$  = workpiece height,

$w$  = workpiece length,

$x$  = stroke,

$z$  = stop diameter

Calculation dimension  $x$  for workpieces:

$$x = d_2/2 - s$$

Installation by pressing in.

Characteristic

Version light spring load = spring from stainless steel

Version standard spring load = spring from steel, blackened

Version heavy spring load = spring from steel, zinc-plated by galvanization

More information

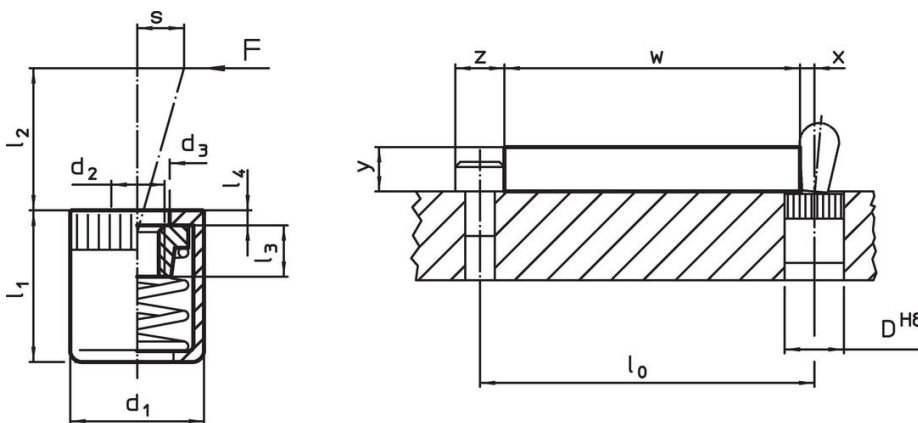
Notes

Individual set screws can be screwed in the plate with threaded hole.

Further products

- Eccentric Mounting Bushings, for lateral plungers, smooth


Drawing



Order information



Dimensions		Spring load F max. <sup>1)</sup> [N]	d <sub>3</sub>	Dimensions				Stroke s [mm]	Location hole D H8 [mm]	max. [°C]	[g]	Art. No.
d <sub>1</sub>	d <sub>2</sub>			l <sub>1</sub> -1	l <sub>2</sub>	l <sub>3</sub>	l <sub>4</sub>					
[mm]				[mm]								
<b>Light spring load</b>												
10	M4	20	6.3	11	6.7	4.5	1.2	0.8	10	250	1.8	22150.1020
10	M4	40	6.3	11	10.7	4.5	1.2	1.0	10	250	1.9	22150.1025
16	M6	100	10.2	18	16.7	7.5	1.7	1.6	16	250	9.4	22150.1040

<sup>1)</sup> statistical average value

Dimensions		Spring load F max. <sup>1)</sup> ~ [N]	d <sub>3</sub>	Dimensions				Stroke s [mm]	Location hole D H8 [mm]	max. [°C]		Art. No.
d <sub>1</sub> [mm]	d <sub>2</sub> [mm]			l <sub>1</sub> -1	l <sub>2</sub> [mm]	l <sub>3</sub>	l <sub>4</sub>					
<b>Standard spring load</b>												
10	M4	50	6.3	11	6.7	4.5	1.2	0.8	10	250	2.1	<a href="#">22150.1021</a>
10	M4	75	6.3	11	10.7	4.5	1.2	1.0	10	250	2.1	<a href="#">22150.1026</a>
16	M6	150	10.2	18	16.7	7.5	1.7	1.6	16	250	9.4	<a href="#">22150.1041</a>
<b>Heavy spring load</b>												
10	M4	100	6.3	11	6.7	4.5	1.2	0.8	10	250	2.3	<a href="#">22150.1022</a>
10	M4	100	6.3	11	10.7	4.5	1.2	1.0	10	250	2.5	<a href="#">22150.1027</a>
16	M6	200	10.2	18	16.7	7.5	1.7	1.6	16	250	9.3	<a href="#">22150.1042</a>

<sup>1)</sup> statistical average value

### Accessories

	Dimensions d <sub>1</sub> [mm]		Art. No.
		[g]	
<b>assembly tool</b>			
	10	49	<a href="#">22150.0831</a>
	16	105	<a href="#">22150.0833</a>

### Compliance

For detailed compliance information please select the desired article number.