

Lateral Plungers • smooth, with seal, with female thread EH 22150.



Product Description

To be used for positioning and applying pressure, e.g. during painting and sandblasting. Sealed against chips and dirt.

Material

Seal

- CR

Body

- Aluminium Al

Threaded washer

- Steel, blackened

Spring

- Stainless steel
- Steel, blackened
- Steel, zinc-plated by galvanization

Assembly

Formula for calculating the center distance for the mounting hole:

$$l_0 = z/2 + w + x,$$

l_0 = center distance,

y = workpiece height,

w = workpiece length,

x = stroke,

z = stop diameter

Calculation dimension x for workpieces:

$$x = d_2/2 - s$$

Installation by pressing in.

Characteristic

Version light spring load = spring from stainless steel

Version standard spring load = spring from steel, blackened

Version heavy spring load = spring from steel, zinc-plated by galvanization

More information

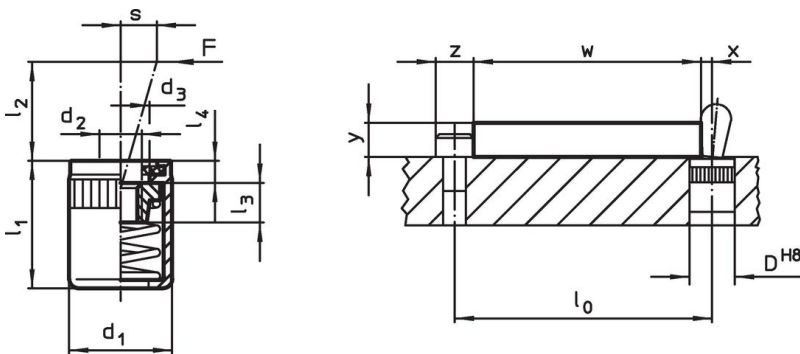
Notes

Individual set screws can be screwed in the plate with threaded hole.

Further products

- Eccentric Mounting Bushings, for lateral plungers, smooth

Drawing



Order information


Dimensions		Spring load F max. ¹⁾ [N]	Dimensions					Stroke s [mm]	Location hole D H8 [mm]	Temperature max. [°C]	Weight [g]	Art. No.
d ₁ [mm]	d ₂ [mm]		d ₃ [mm]	l ₁ -2 [mm]	l ₂ [mm]	l ₃ [mm]	l ₄ [mm]					
Light spring load												
10	M4	20	6.3	12.0	6	4.5	1.8	0.8	10	110	1.9	22150.1120
10	M4	40	6.3	12.0	10	4.5	1.8	1.0	10	110	2.0	22150.1125
16	M6	100	10.2	18.5	16	7.5	2.0	1.6	16	110	9.6	22150.1140

¹⁾ statistical average value

Dimensions		Spring load F max. ¹⁾ ~ [N]	d ₃	Dimensions				Stroke s [mm]	Location hole D H8 [mm]	🌡️ max. [°C]	🏋️ [g]	Art. No.
d ₁	d ₂			l ₁	l ₂	l ₃	l ₄					
[mm]				[mm]								
Standard spring load												
10	M4	50	6.3	12.0	6	4.5	1.8	0.8	10	110	2.2	22150.1121
10	M4	75	6.3	12.0	10	4.5	1.8	1.0	10	110	2.2	22150.1126
16	M6	150	10.2	18.5	16	7.5	2.0	1.6	16	110	9.5	22150.1141
Heavy spring load												
10	M4	100	6.3	12.0	6	4.5	1.8	0.8	10	110	2.3	22150.1122
10	M4	100	6.3	12.0	10	4.5	1.8	1.0	10	110	2.5	22150.1127
16	M6	200	10.2	18.5	16	7.5	2.0	1.6	16	110	10.0	22150.1142

¹⁾ statistical average value

Accessories

	Dimensions d ₁ [mm]	🏋️ [g]	Art. No.
assembly tool			
	10	49	22150.0831
	16	105	22150.0833

Compliance

For detailed compliance information please select the desired article number.