

Locating Bushings, plain • for lifting pins

EH 22350.



Product Description

Locating bushings are used for quick and safe locating of lifting pins EH 22350 / EH 22351. This design is suitable for applications which require installation flush to the surface. A face wrench is required for installation. As an accessory, we offer a standard adjustable face wrench, offset, and a face and socket wrench. In combination with a socket-wrench/screwdriver, the face and socket wrench is especially suitable for use if space is restricted. Corrosion and abrasion resistant.

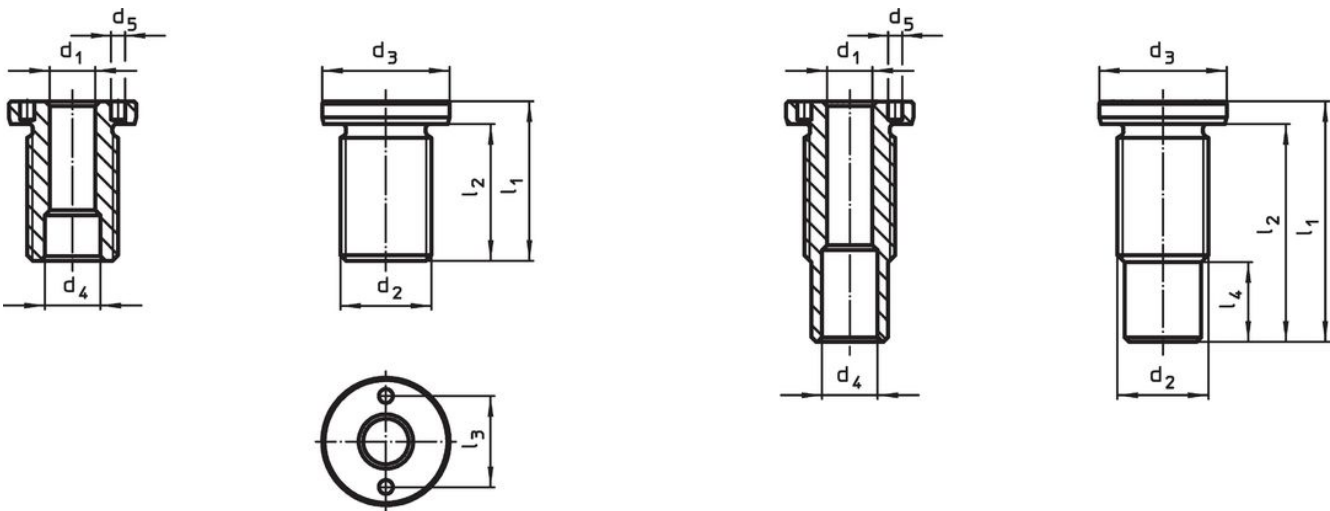
Material

- Stainless steel 1.4542, precipitation-hardened

Assembly

Safe tolerances and consistent function. Easily incorporated into different materials. Bush can be easily installed via optional assembly tool. Can be mounted in blind holes. For thin-walled parts, lock nuts are used for assembly.

Drawing



size M16/M16x1,5/M20
M20x1,5/M24x1,5/M30x2



size M24/M30/M36x2

Order information

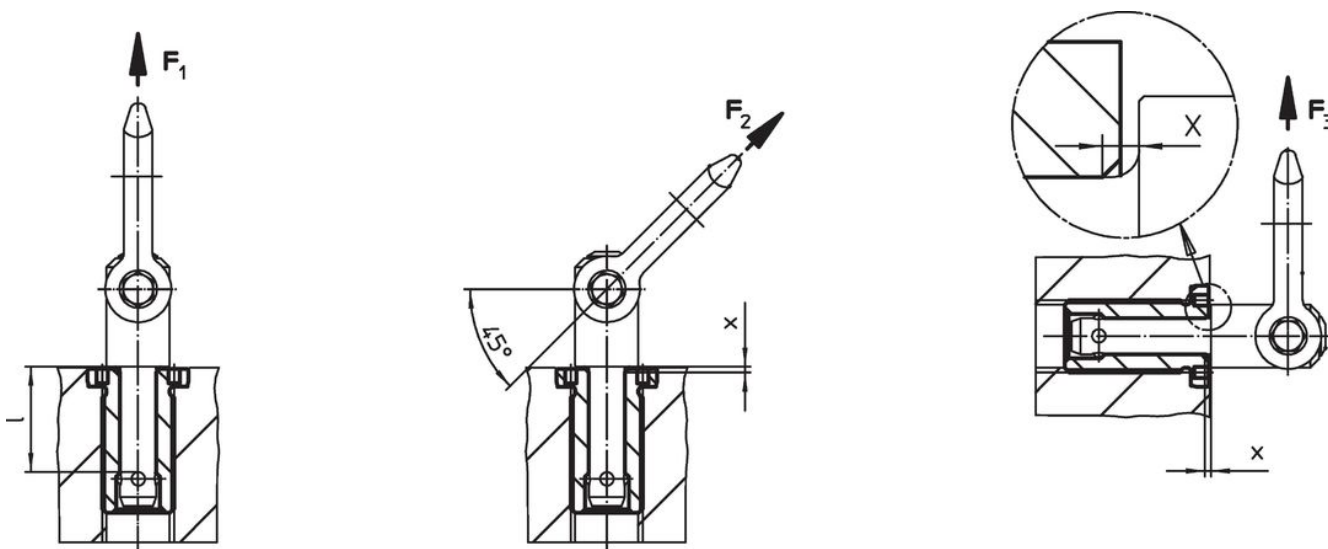
d ₁ H11	Dimensions d ₂ [mm]	For nominal length [mm]	Dimensions							Tightening torque max. [Nm]	x [mm]	Load capacity			For lifting pin	Art. No.	
			d ₃ -0.2	d ₄ +0.3	d ₅ +0.1	l ₁	l ₂	l ₃	l ₄			F ₁	F ₂	F ₃			[g]
8	M16 x 1,5	10	24	9.8	3.1	25	20	16	–	75	1.5	1.5	1.2	0.5	22350.0601 / .0701	31	22350.1900
8	M16 x 1,5	15	24	9.8	3.1	25	20	16	–	75	1.5	1.5	1.2	0.5	22350.0602 / .0702	32	22350.1902
8	M16	25	24	9.8	3.1	35	30	16	–	75	1.5	1.5	1.2	0.5	22350.0604 / .0704	41	22350.1904
8	M16	35	24	9.8	3.1	45	40	16	–	75	1.5	1.5	1.2	0.5	22350.0606 / .0706	49	22350.1906
10	M20 x 1,5	15	28	12.2	5.1	30	24	20	–	100	1.5	2.7	2.4	2.1	22350.0621 / .0721	55	22350.1910
10	M20 x 1,5	25	28	12.2	5.1	35	29	20	–	100	1.5	2.7	2.4	2.1	22350.0623 / .0723	64	22350.1912
10	M20	35	28	12.2	5.1	45	39	20	–	100	1.5	2.7	2.4	2.1	22350.0625 / .0725	70	22350.1914
10	M20	50	28	12.2	5.1	60	54	20	–	100	1.5	2.7	2.4	2.1	22350.0627 / .0727	93	22350.1916
12	M24 x 1,5	15	32	14.7	5.1	32	26	22	–	150	1.5	3.5	3.2	2.8	22350.0631 / .0731	80	22350.1920
12	M24 x 1,5	25	32	14.7	5.1	40	34	22	–	150	1.5	3.5	3.2	2.8	22350.0633 / .0733	94	22350.1922
12	M24	35	32	14.7	5.1	50	44	22	3.8	150	1.5	3.5	3.2	2.8	22350.0635 / .0735	116	22350.1924
12	M24	50	32	14.7	5.1	65	59	22	18.8	150	1.5	3.5	3.2	2.8	22350.0637 / .0737	130	22350.1926
16	M30 x 2	25	39	19.2	5.1	45	39	30	–	200	1.5	4.8	4.5	4.1	22350.0641 / .0741	163	22350.1930

H11	Dimensions		For nominal length	Dimensions							Tightening torque max.	x	Load capacity			For lifting pin	Art. No.	
	d ₁	d ₂		d ₃	d ₄	d ₅	l ₁	l ₂	l ₃	l ₄			F ₁	F ₂	F ₃			
	[mm]		[mm]	[mm]							[Nm]	[mm]	[kN]			[g]		
16	M30		50	39	19.2	5.1	65	59	30	6.0	200	1.5	4.8	4.5	4.1	22350.0643 / .0743	201	22350.1934
16	M30		75	39	19.2	5.1	90	84	30	31.0	200	1.5	4.8	4.5	4.1	22350.0645 / .0745	248	22350.1936
20	M36 x 2		50	43	26.0	5.1	70	63	30	3.5	200	1.5	10.0	8.5	6.5	22350.0673 / .0773	341	22350.1954
20	M36 x 2		75	43	26.0	5.1	95	88	30	28.5	200	1.5	10.0	8.5	6.5	22350.0675 / .0775	413	22350.1956

Accessories

	Suitable for size d ₁	Pin spacing ±0.1	Pin diameter -0.1	Square drive	Art. No.
	[mm]	[mm]	[mm]	[in]	[g]
adjustable face wrench, offset					
	8	-	3		121
	10/12/16/20/25	-	5		309
face wrench (socket wrench insert)					
	8	16	3	1/2	116
	10	20	5	1/2	136
	12	22	5	1/2	185
	16/20	30	5	1/2	243

Application example



Compliance

For detailed compliance information please select the desired article number.