

Ball-Ended Thrust Screws • headless, ball protected against rotating

EH 22700.



Product Description

Ball-ended thrust screws can also be used for clamping, tightening or supporting of non-parallel surfaces.

The flat-faced, movable ball enables a flat load transmission.

Material

Ball

- Ball-bearing steel, hardened
- Stainless steel, hardened

Screw

- Heat-treated steel, $1200 \pm 100 \text{ N/mm}^2$
- Stainless steel 1.4305

More information

Notes

Ball protected against rotating.
Customized design on request.

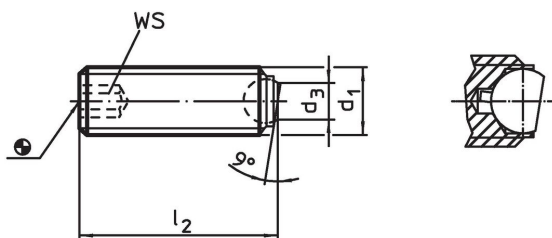
References

Thread lock on request, please refer to appendix - Technical Data -

Further products

- Ball-Ended Thrust Screws, headless, flat-faced ball
- Ball-Ended Thrust Screws, headless, with fine-pitch thread
- Ball-Ended Thrust Screws, headless, flat-faced ball and hexalobular socket


Drawing



Order information

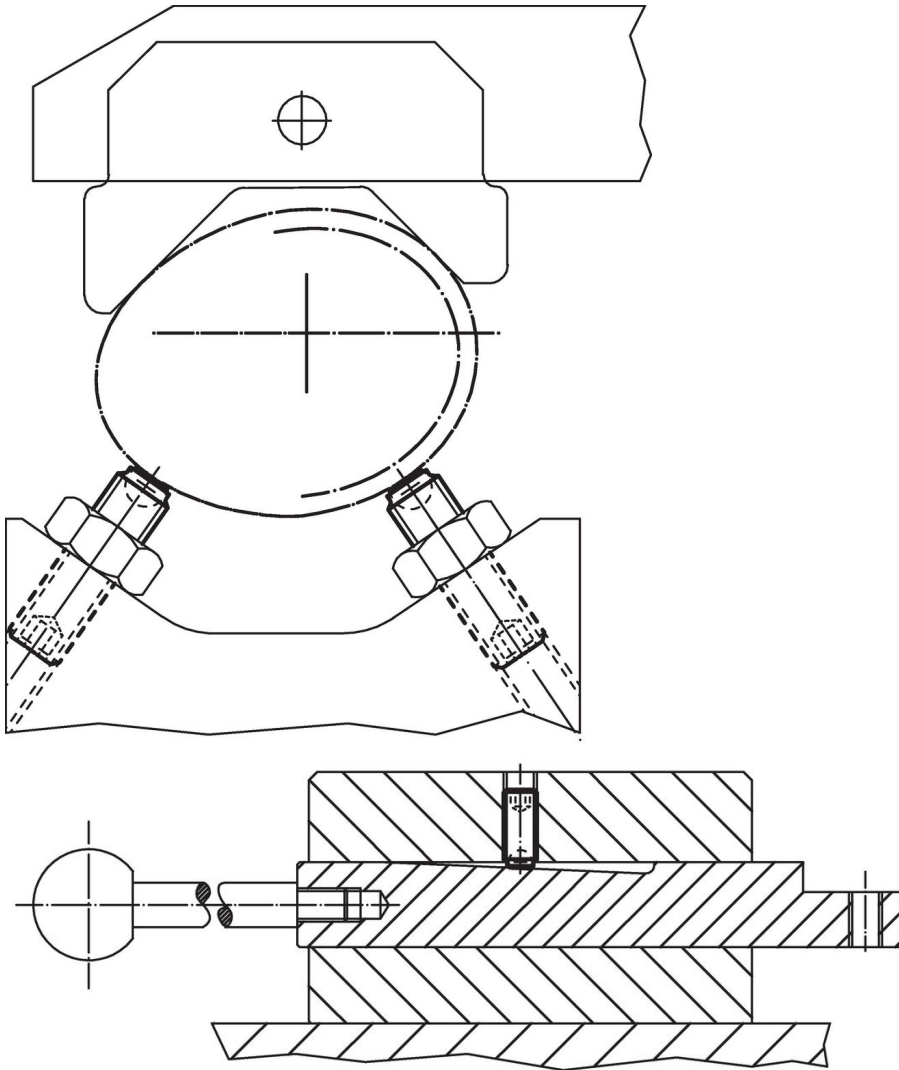
d ₁	l ₂	Dimensions		Ball diameter	WS	Load capacity for static load ¹⁾ max.	[g]	Art. No.
		d ₃	[mm]					
flat-faced ball, bearing surface plain, Heat-treated steel								
M 6	12	3.2		4.0	3	6	1.6	22700.0563
M 6	16	3.2		4.0	3	6	2.3	22700.0564
M 6	20	3.2		4.0	3	6	3.0	22700.0565
M 6	25	3.2		4.0	3	6	3.8	22700.0566
M 8	16	4.5		5.5	4	9	3.9	22700.0583
M 8	20	4.5		5.5	4	9	5.1	22700.0584
M 8	25	4.5		5.5	4	9	6.6	22700.0585
M 8	30	4.5		5.5	4	9	8.3	22700.0586
M10	20	6.0		7.0	5	12	7.7	22700.0603
M10	25	6.0		7.0	5	12	10.0	22700.0604
M10	35	6.0		7.0	5	12	15.0	22700.0606
M10	40	6.0		7.0	5	12	17.0	22700.0608
M12	20	7.2		8.5	6	18	11.0	22700.0622
M12	30	7.2		8.5	6	18	18.0	22700.0624
M12	40	7.2		8.5	6	18	25.0	22700.0626
M12	50	7.2		8.5	6	18	32.0	22700.0628
M16	20	10.7		12.0	8	36	22.0	22700.0661
M16	25	10.7		12.0	8	36	28.0	22700.0662
M16	35	10.7		12.0	8	36	38.0	22700.0664
M16	50	10.7		12.0	8	36	60.0	22700.0666

¹⁾ Statements on load capacity are not valid for the stainless steel type.

d ₁	l ₂	Dimensions		Ball diameter	WS	Load capacity for static load ¹⁾ max.		Art. No.
		d ₃	[mm]					
M20	30	13.5		15.0	10	60	53.0	22700.0672
M20	40	13.5		15.0	10	60	70.0	22700.0674
M20	50	13.5		15.0	10	60	90.0	22700.0675
M20	60	13.5		15.0	10	60	111.0	22700.0676
M24	35	15.8		18.0	12	80	85.0	22700.0682
M24	50	15.8		18.0	12	80	125.0	22700.0684
M24	80	15.8		18.0	12	80	215.0	22700.0686
flat-faced ball, bearing surface plain, Stainless steel								
M 6	12	3.2		4.0	3	6	1.6	22700.0803
M 6	16	3.2		4.0	3	6	2.3	22700.0804
M 6	20	3.2		4.0	3	6	3.0	22700.0805
M 6	25	3.2		4.0	3	6	3.8	22700.0806
M 8	16	4.5		5.5	4	9	3.9	22700.0813
M 8	20	4.5		5.5	4	9	5.1	22700.0814
M 8	25	4.5		5.5	4	9	6.6	22700.0815
M 8	30	4.5		5.5	4	9	8.3	22700.0816
M10	20	6.0		7.0	5	12	7.7	22700.0823
M10	25	6.0		7.0	5	12	10.0	22700.0824
M10	35	6.0		7.0	5	12	15.0	22700.0826
M10	40	6.0		7.0	5	12	17.0	22700.0828
M12	20	7.2		8.5	6	18	11.0	22700.0832
M12	30	7.2		8.5	6	18	18.0	22700.0834
M12	40	7.2		8.5	6	18	25.0	22700.0836
M12	50	7.2		8.5	6	18	32.0	22700.0838
M16	20	10.7		12.0	8	36	22.0	22700.0841
M16	25	10.7		12.0	8	36	28.0	22700.0842
M16	35	10.7		12.0	8	36	38.0	22700.0844
M16	50	10.7		12.0	8	36	60.0	22700.0846
flat-faced ball, bearing surface ribbed, Heat-treated steel								
M 8	16	4.5		5.5	4	9	3.9	22700.0693
M 8	20	4.5		5.5	4	9	5.1	22700.0694
M 8	25	4.5		5.5	4	9	6.6	22700.0695
M 8	30	4.5		5.5	4	9	8.3	22700.0696
M10	20	6.0		7.0	5	12	7.7	22700.0703
M10	25	6.0		7.0	5	12	10.0	22700.0704
M10	35	6.0		7.0	5	12	15.0	22700.0706
M10	40	6.0		7.0	5	12	17.0	22700.0708
M12	20	7.2		8.5	6	18	11.0	22700.0722
M12	30	7.2		8.5	6	18	18.0	22700.0724
M12	40	7.2		8.5	6	18	25.0	22700.0726
M12	50	7.2		8.5	6	18	31.0	22700.0728
M16	20	10.7		12.0	8	36	22.0	22700.0761
M16	25	10.7		12.0	8	36	27.0	22700.0762
M16	35	10.7		12.0	8	36	40.0	22700.0764
M16	50	10.7		12.0	8	36	60.0	22700.0766
M20	30	13.5		15.0	10	60	52.0	22700.0772
M20	40	13.5		15.0	10	60	70.0	22700.0774
M20	50	13.5		15.0	10	60	89.0	22700.0775
M20	60	13.5		15.0	10	60	111.0	22700.0776
M24	35	15.8		18.0	12	80	85.0	22700.0782
M24	50	15.8		18.0	12	80	125.0	22700.0784
M24	80	15.8		18.0	12	80	215.0	22700.0786

¹⁾ Statements on load capacity are not valid for the stainless steel type.

Application example



Compliance

For detailed compliance information please select the desired article number.