

Studs · with internal hexagon, similar to DIN 6379, for nuts for T-slots

EH 23040.



Product Description

Studs combined with T-nuts DIN 508 (EH 23010./23020.), fixture nuts DIN 6330 (EH 23070.) and plain washers DIN 6340 (EH 23060.) become complete clamping studs. These studs are characterised by the rolled thread.

Material

- Heat-treated steel

Assembly

The stud has an internal hexagon additionally. This guarantees a fast and simple assembling and dismantling.

More information

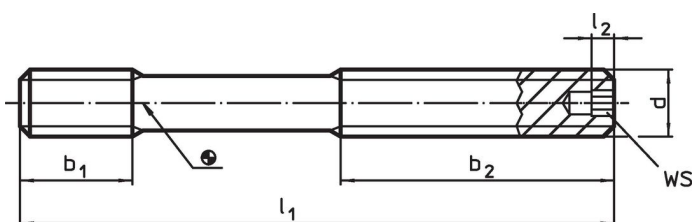
References

For torques and strengths please refer to appendix - Technical Data -

Further products

- Nuts for T-Slots, DIN 508
- Studs, DIN 6379 for nuts for T-slots
- Studs, DIN 6379 b_1 long for nuts for T-slots
- Shaft / Plain Washers, DIN 6340 heat-treated
- Fixture Nuts, DIN 6330 (height 1,5 d)

Drawing

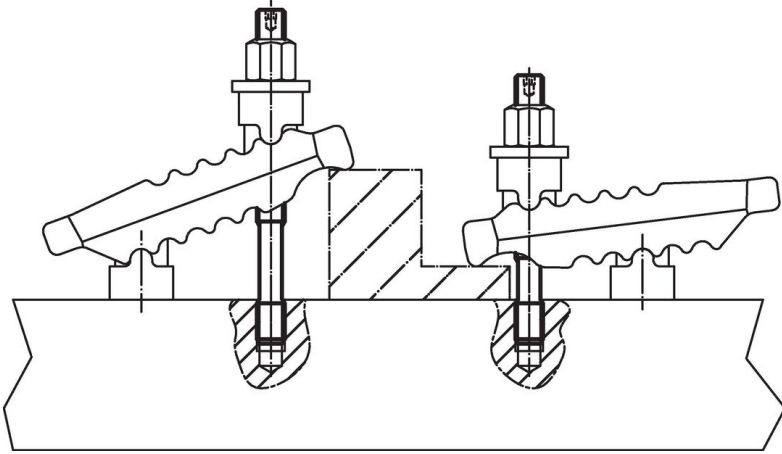


Order information

d	l_1	Dimensions			l_2	WS [mm]	[g]	Art. No.
		b_1 [mm]	b_2					
quality 10.9								
M12	100	15	63	4	4	73	23040.0724	
M12	125	15	75	4	4	91	23040.0725	
M12	160	15	100	4	4	115	23040.0726	
quality 12.9								
M16	125	19	75	4	4	165	23040.0763	
M16	160	19	100	4	4	212	23040.0764	
M16	200	19	122	4	4	262	23040.0765	
M20	160	27	100	5	5	320	23040.0783	
M20	200	27	122	5	5	411	23040.0784	
M20	250	27	160	5	5	522	23040.0785	
M24	200	35	122	5	5	589	23040.0804	
M24	250	35	160	5	5	745	23040.0805	

Application example





Compliance

RoHS compliant

Compliant according to Directive 2011/65/EU and Directive 2015/863.

Does not contain SVHC substances

No SVHC substances with more than 0.1% w/w contained - SVHC list [REACH] as of 27.06.2024.

Does not contain Proposition 65 substances

No Proposition 65 substances included.
<https://www.P65Warnings.ca.gov/>

Free from Conflict Minerals

This product does not contain any substances designated as "conflict minerals" such as tantalum, tin, gold or tungsten from the Democratic Republic of Congo or adjacent countries.