

Clamps • DIN 6314 flat EH 23140.



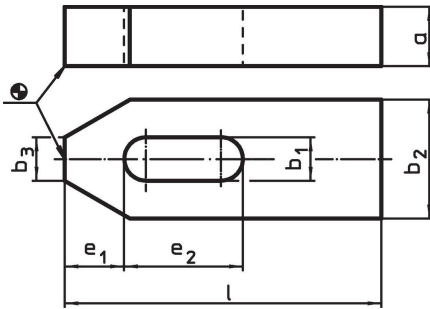
Product Description

This clamp (clamping claw) according to DIN 6314 is mainly used in mechanical clamping technology for clamping workpieces.

Material

- Heat-treated steel, varnished

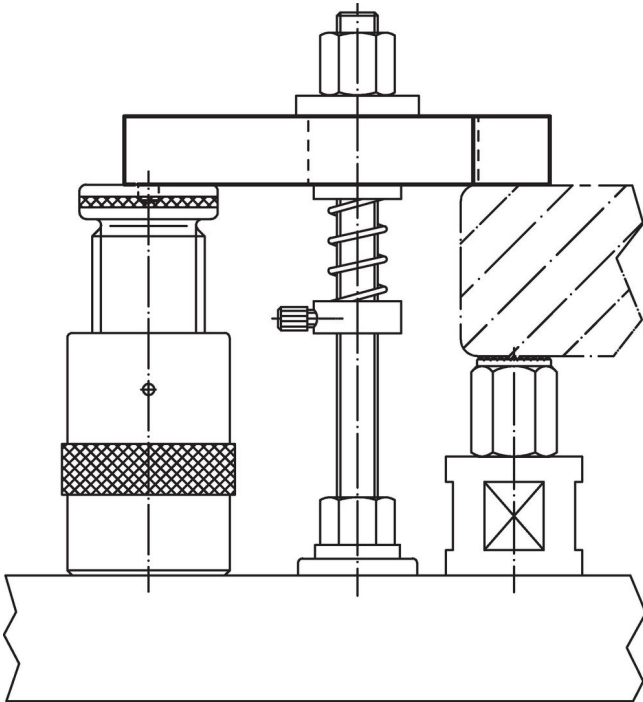
Drawing



Order information

Nominal dimension b_1 [mm]	l	a	Dimensions [mm]				For screws		[g]	Art. No.
			b_2	b_3	e_1	e_2	[mm]	[in]		
6.6	50	10	20	8	10	20	M 6	1/4	61	23140.0007
9.0	60	12	25	10	13	22	M 8	5/16	112	23140.0009
11.0	80	15	30	12	15	30	M10	3/8	228	23140.0011
14.0	100	20	40	14	21	40	M12, M14	1/2	492	23140.0014
14.0	125	20	40	14	21	50	M12, M14	1/2	623	23140.0015
18.0	125	25	50	18	26	45	M16, M18	5/8	980	23140.0018
18.0	160	25	50	18	26	65	M16, M18	5/8	1246	23140.0019
22.0	160	30	60	22	30	60	M20, M22	3/4	1793	23140.0022
22.0	200	30	60	22	30	80	M20, M22	3/4	2244	23140.0023
26.0	200	30	70	26	35	80	M24	1	2617	23140.0026
26.0	250	30	70	26	35	105	M24	1	3823	23140.0027
33.0	250	40	80	34	45	100	M30	1 1/4	4980	23140.0034
33.0	315	50	80	34	45	130	M30	1 1/4	7840	23140.0035

Application example



Compliance

RoHS compliant

Compliant according to Directive 2011/65/EU and Directive 2015/863.

Does not contain SVHC substances

No SVHC substances with more than 0.1% w/w contained - SVHC list [REACH] as of 27.06.2024.

Does not contain Proposition 65 substances

No Proposition 65 substances included.

<https://www.P65Warnings.ca.gov/>

Free from Conflict Minerals

This product does not contain any substances designated as "conflict minerals" such as tantalum, tin, gold or tungsten from the Democratic Republic of Congo or adjacent countries.