

Clamping Vices

EH 23231.



Product Description

The clamping vice is a solid, compact clamping module with a horizontally acting clamping force and a robust mechanical spindle.

- Clamping force up to max. 80 kN
- Clamping stroke 25 mm via screw drive WS 36
- Fixture via 4 cap screws M 24, quality 8.8 (tightening torque 600 Nm) with a hole spacing 100 x 100 mm
- Suitable clamping jaws 23231.0020 - .0033 are available

Material

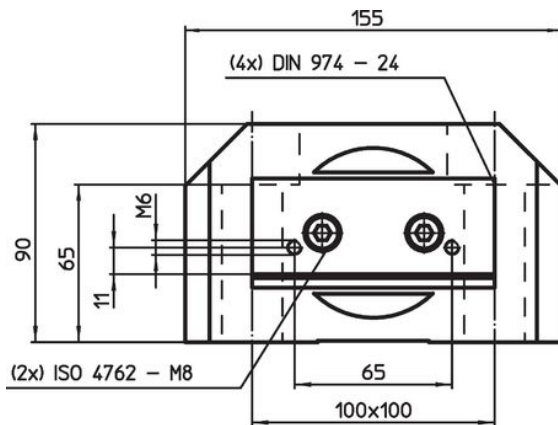
- Steel, case-hardened, ground

More information

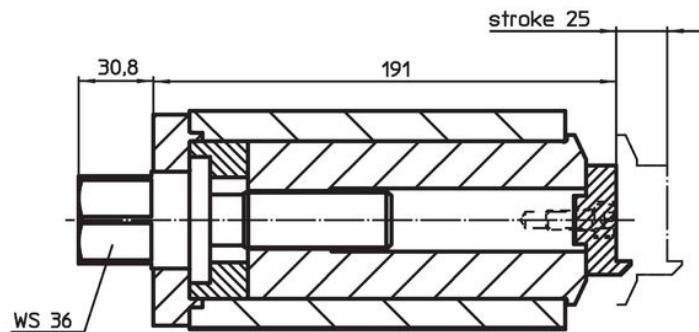
Further products

- Standard Jaws, for vices
- Interchangeable Jaws, for vices, with pull-down effect
- Clamping Vices, moveable jaw
- Clamping Vices, fixed jaw
- Clamping Vices, replacement jaw, soft
- Clamping Vices, replacement jaw, ribbed/flat

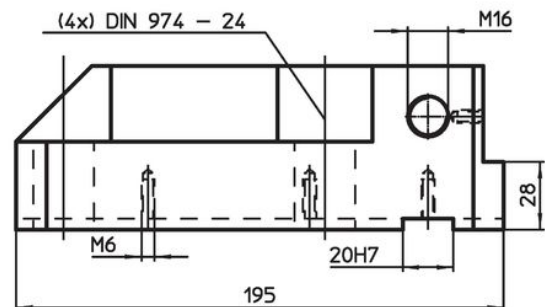
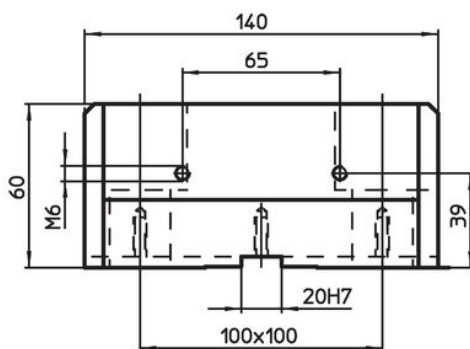
Drawing




picture 1



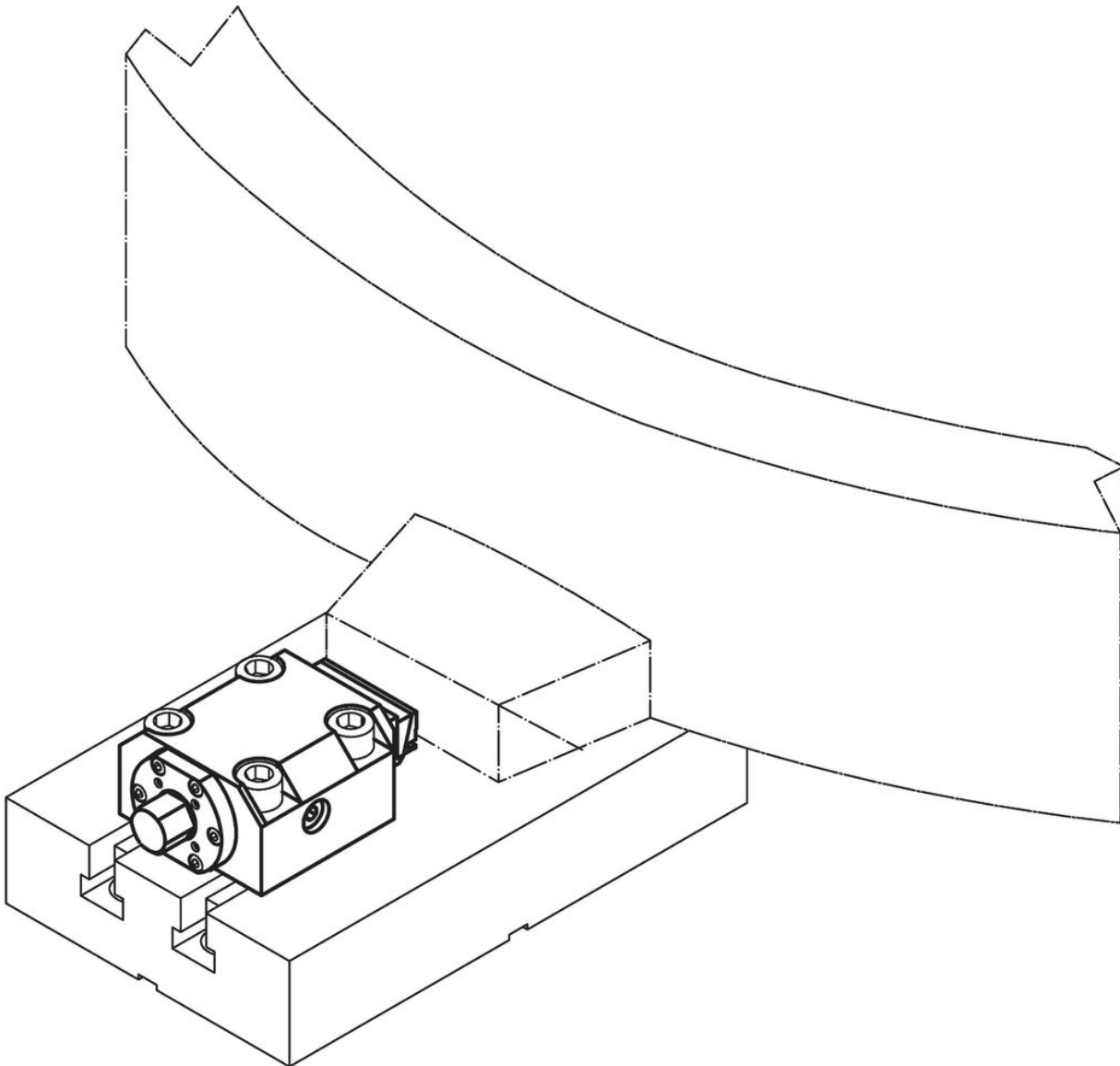
picture 2



Order information

Clamping force horizontal max. [kN]	Tightening torque max. [Nm]	 [kg]	Art. No.
moveable jaw – picture 1			
80	200	16	23231.0010
fixed jaw – picture 2			
–	–	10	23231.0011

Application example



Compliance

For detailed compliance information please select the desired article number.