

Eccentric Quick Clamps · with screw

EH 23390.



Product Description

For quick and easy clamping and releasing of workpieces.
When using the "adjustable" design (picture 2) the lever position can be moved.

Material

Support washer

- Thermoplastic PA, glass-fiber reinforced
- Thermoplastic POM, glass-fiber reinforced

Lever

- Zinc die-cast, plastic coated, black, similar to RAL 9005

Inner parts

- Steel, zinc-plated by galvanization
- Stainless steel 1.4305

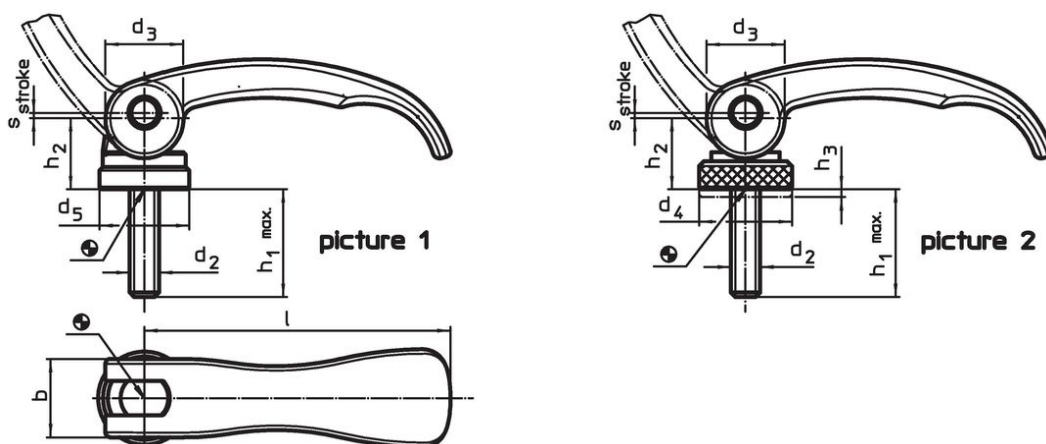
Screw

- Steel, zinc-plated by galvanization
- Stainless steel 1.4305

Adjusting nut

- Steel, zinc-plated by galvanization
- Stainless steel 1.4305

Drawing



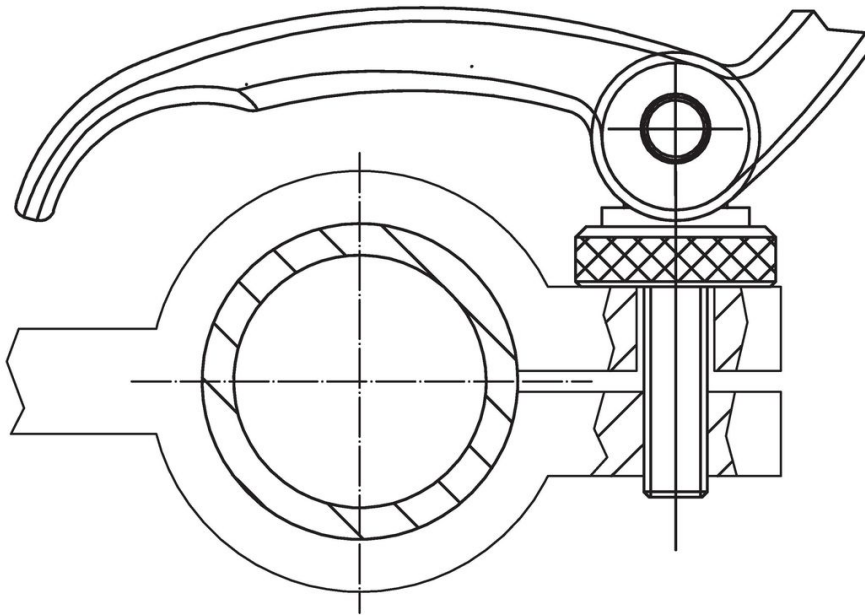
Order information

l	d ₂	h ₁ max. in clamping position	Dimensions						Regulating- range h ₃ min.	b	Stroke s at 90° lever position [mm]	🌡️ max. [°C]	🏠 [g]	Art. No.
			d ₃	d ₄	d ₅	h ₂ max.	[mm]							
with screw – picture 1, Steel														
63	M5	16	16	–	18.5	16.4	–	16	0.75	80	62	23390.0030		
63	M5	20	16	–	18.5	16.4	–	16	0.75	80	63	23390.0031		
63	M5	25	16	–	18.5	16.4	–	16	0.75	80	63	23390.0032		
63	M5	30	16	–	18.5	16.4	–	16	0.75	80	65	23390.0033		
63	M5	35	16	–	18.5	16.4	–	16	0.75	80	65	23390.0034		
63	M5	40	16	–	18.5	16.4	–	16	0.75	80	65	23390.0035		
63	M5	50	16	–	18.5	16.4	–	16	0.75	80	67	23390.0036		
63	M6	16	16	–	18.5	16.4	–	16	0.75	80	63	23390.0009		
63	M6	20	16	–	18.5	16.4	–	16	0.75	80	65	23390.0010		
63	M6	25	16	–	18.5	16.4	–	16	0.75	80	65	23390.0011		
63	M6	30	16	–	18.5	16.4	–	16	0.75	80	65	23390.0012		
63	M6	35	16	–	18.5	16.4	–	16	0.75	80	66	23390.0013		

l	d ₂	h ₁ max. in clamping position	Dimensions						Regulating- range h ₃ min.	b	Stroke s at 90° lever position [mm]	max. [°C]	max. [g]	Art. No.
			d ₃	d ₄	d ₅	h ₂ max.	[mm]							
63	M6	40	16	–	18.5	16.4	–	16	0.75	80	68	23390.0014		
63	M6	50	16	–	18.5	16.4	–	16	0.75	80	69	23390.0016		
82	M8	20	20	–	22.5	19.5	–	20	1.00	80	128	23390.0019		
82	M8	25	20	–	22.5	19.5	–	20	1.00	80	129	23390.0020		
82	M8	30	20	–	22.5	19.5	–	20	1.00	80	132	23390.0021		
82	M8	35	20	–	22.5	19.5	–	20	1.00	80	134	23390.0022		
82	M8	40	20	–	22.5	19.5	–	20	1.00	80	136	23390.0023		
82	M8	50	20	–	22.5	19.5	–	20	1.00	80	138	23390.0025		
82	M8	60	20	–	22.5	19.5	–	20	1.00	80	142	23390.0027		
with screw, adjustable – picture 2, Steel														
63	M5	16	16	19	–	16.4	1.5	16	0.75	80	68	23390.0130		
63	M5	20	16	19	–	16.4	1.5	16	0.75	80	69	23390.0131		
63	M5	25	16	19	–	16.4	1.5	16	0.75	80	69	23390.0132		
63	M5	30	16	19	–	16.4	1.5	16	0.75	80	71	23390.0133		
63	M5	35	16	19	–	16.4	1.5	16	0.75	80	71	23390.0134		
63	M5	40	16	19	–	16.4	1.5	16	0.75	80	72	23390.0135		
63	M5	50	16	19	–	16.4	1.5	16	0.75	80	73	23390.0136		
63	M6	16	16	19	–	16.4	1.5	16	0.75	80	69	23390.0109		
63	M6	20	16	19	–	16.4	1.5	16	0.75	80	70	23390.0110		
63	M6	25	16	19	–	16.4	1.5	16	0.75	80	72	23390.0111		
63	M6	30	16	19	–	16.4	1.5	16	0.75	80	72	23390.0112		
63	M6	35	16	19	–	16.4	1.5	16	0.75	80	70	23390.0113		
63	M6	40	16	19	–	16.4	1.5	16	0.75	80	74	23390.0114		
63	M6	50	16	19	–	16.4	1.5	16	0.75	80	75	23390.0116		
82	M8	20	20	25	–	19.5	2.5	20	1.00	80	142	23390.0119		
82	M8	25	20	25	–	19.5	2.5	20	1.00	80	145	23390.0120		
82	M8	30	20	25	–	19.5	2.5	20	1.00	80	146	23390.0121		
82	M8	35	20	25	–	19.5	2.5	20	1.00	80	140	23390.0122		
82	M8	40	20	25	–	19.5	2.5	20	1.00	80	149	23390.0123		
82	M8	50	20	25	–	19.5	2.5	20	1.00	80	152	23390.0125		
82	M8	60	20	25	–	19.5	2.5	20	1.00	80	155	23390.0127		
with screw – picture 1, Stainless steel														
63	M5	16	16	–	18.5	16.4	–	16	0.75	80	62	23390.0230		
63	M5	20	16	–	18.5	16.4	–	16	0.75	80	63	23390.0231		
63	M5	25	16	–	18.5	16.4	–	16	0.75	80	63	23390.0232		
63	M5	30	16	–	18.5	16.4	–	16	0.75	80	65	23390.0233		
63	M5	35	16	–	18.5	16.4	–	16	0.75	80	65	23390.0234		
63	M5	40	16	–	18.5	16.4	–	16	0.75	80	65	23390.0235		
63	M5	50	16	–	18.5	16.4	–	16	0.75	80	67	23390.0236		
63	M6	16	16	–	18.5	16.4	–	16	0.75	80	63	23390.0209		
63	M6	20	16	–	18.5	16.4	–	16	0.75	80	65	23390.0210		
63	M6	25	16	–	18.5	16.4	–	16	0.75	80	65	23390.0211		
63	M6	30	16	–	18.5	16.4	–	16	0.75	80	65	23390.0212		
63	M6	35	16	–	18.5	16.4	–	16	0.75	80	66	23390.0213		
63	M6	40	16	–	18.5	16.4	–	16	0.75	80	68	23390.0214		
63	M6	50	16	–	18.5	16.4	–	16	0.75	80	69	23390.0216		
82	M8	20	20	–	22.5	19.5	–	20	1.00	80	128	23390.0219		
82	M8	25	20	–	22.5	19.5	–	20	1.00	80	129	23390.0220		
82	M8	30	20	–	22.5	19.5	–	20	1.00	80	132	23390.0221		
82	M8	35	20	–	22.5	19.5	–	20	1.00	80	134	23390.0222		
82	M8	40	20	–	22.5	19.5	–	20	1.00	80	136	23390.0223		
82	M8	50	20	–	22.5	19.5	–	20	1.00	80	138	23390.0225		
82	M8	60	20	–	22.5	19.5	–	20	1.00	80	142	23390.0227		
with screw, adjustable – picture 2, Stainless steel														
63	M5	16	16	19	–	16.4	1.5	16	0.75	80	68	23390.0330		
63	M5	20	16	19	–	16.4	1.5	16	0.75	80	69	23390.0331		
63	M5	25	16	19	–	16.4	1.5	16	0.75	80	69	23390.0332		
63	M5	30	16	19	–	16.4	1.5	16	0.75	80	71	23390.0333		
63	M5	35	16	19	–	16.4	1.5	16	0.75	80	71	23390.0334		

l	d ₂	h ₁ max. in clamping position	Dimensions						Regulating- range h ₃ min.	b	Stroke s at 90° lever position [mm]	max. [°C]	max. [g]	Art. No.
			d ₃	d ₄	d ₅	h ₂ max.	[mm]							
63	M5	40	16	19	–	16.4	1.5	16	0.75	80	72	23390.0335		
63	M5	50	16	19	–	16.4	1.5	16	0.75	80	73	23390.0336		
63	M6	16	16	19	–	16.4	1.5	16	0.75	80	69	23390.0309		
63	M6	20	16	19	–	16.4	1.5	16	0.75	80	70	23390.0310		
63	M6	25	16	19	–	16.4	1.5	16	0.75	80	72	23390.0311		
63	M6	30	16	19	–	16.4	1.5	16	0.75	80	72	23390.0312		
63	M6	35	16	19	–	16.4	1.5	16	0.75	80	70	23390.0313		
63	M6	40	16	19	–	16.4	1.5	16	0.75	80	74	23390.0314		
63	M6	50	16	19	–	16.4	1.5	16	0.75	80	75	23390.0316		
82	M8	20	20	25	–	19.5	2.5	20	1.00	80	142	23390.0319		
82	M8	25	20	25	–	19.5	2.5	20	1.00	80	145	23390.0320		
82	M8	30	20	25	–	19.5	2.5	20	1.00	80	146	23390.0321		
82	M8	35	20	25	–	19.5	2.5	20	1.00	80	140	23390.0322		
82	M8	40	20	25	–	19.5	2.5	20	1.00	80	149	23390.0323		
82	M8	50	20	25	–	19.5	2.5	20	1.00	80	152	23390.0325		
82	M8	60	20	25	–	19.5	2.5	20	1.00	80	155	23390.0327		

Application example



Compliance

For detailed compliance information please select the desired article number.