

## Tommy Screws • DIN 6306 with moveable pin EH 24500.



### Product Description

With this version, the pin is moveable and held by the spring.

### Material

- Free cutting steel, blackened, pressure lug hardened.

### More information

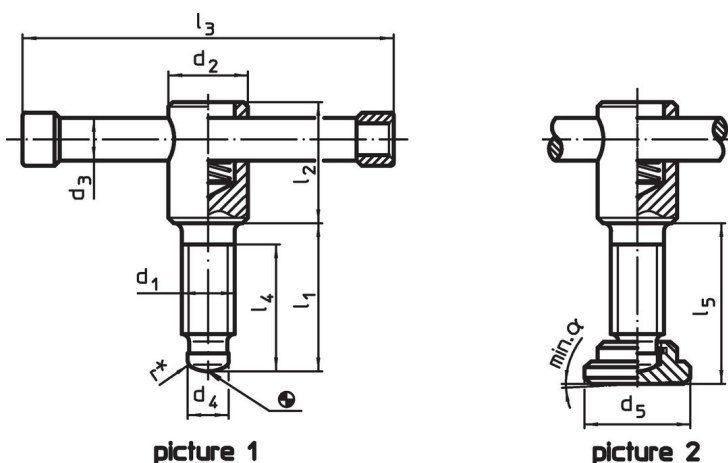
### References

Thrust point for thrust pad DIN 6311 form S, EH 22560.

### Further products

- Thrust Pads, DIN 6311 and low model


### Drawing



\* to ease assembly the DIN 6306 specification has been completed by r

### Order information

d <sub>1</sub>	l <sub>1</sub>	d <sub>2</sub>	d <sub>3</sub>	Dimensions						α min.	[g]	Art. No.
				d <sub>4</sub>	d <sub>5</sub>	l <sub>2</sub>	l <sub>3</sub>	l <sub>4</sub>	l <sub>5</sub>			
[mm]												
<b>without thrust pad, form D – picture 1</b>												
M 8	40	14	6	6.0	–	25	60	32	–	–	44	24500.0008
M 8	50	14	6	6.0	–	25	60	42	–	–	47	24500.0009
M10	40	18	8	8.0	–	32	80	30	–	–	92	24500.0010
M10	50	18	8	8.0	–	32	80	40	–	–	96	24500.0011
M12	50	20	10	8.0	–	35	100	40	–	–	154	24500.0012
M12	60	20	10	8.0	–	35	100	50	–	–	162	24500.0013
M16	55	24	13	12.0	–	40	120	45	–	–	298	24500.0016
M16	70	24	13	12.0	–	40	120	60	–	–	319	24500.0017
M16	90	24	13	12.0	–	40	120	60	–	–	344	24500.0018
M20	55	30	16	15.5	–	45	140	45	–	–	520	24500.0020
M20	70	30	16	15.5	–	45	140	60	–	–	550	24500.0021
M20	90	30	16	15.5	–	45	140	80	–	–	593	24500.0022
<b>with thrust pad, form E – picture 2</b>												
M 8	40	14	6	6.0	16	25	60	32	43.0	3°	53	24500.0108
M 8	50	14	6	6.0	16	25	60	42	53.0	3°	56	24500.0109
M10	40	18	8	8.0	20	32	80	30	43.6	3°	110	24500.0110
M10	50	18	8	8.0	20	32	80	40	53.6	3°	114	24500.0111
M12	50	20	10	8.0	25	35	100	40	54.6	3°	193	24500.0112
M12	60	20	10	8.0	25	35	100	50	64.6	3°	198	24500.0113
M16	55	24	13	12.0	32	40	120	45	60.4	5°	357	24500.0116
M16	70	24	13	12.0	32	40	120	60	75.4	5°	377	24500.0117

d <sub>1</sub>	l <sub>1</sub>	d <sub>2</sub>	d <sub>3</sub>	Dimensions						α min.		Art. No.
				d <sub>4</sub>	d <sub>5</sub>	l <sub>2</sub>	l <sub>3</sub>	l <sub>4</sub>	l <sub>5</sub>			
[mm]												
M16	90	24	13	12.0	32	40	120	80	95.4	5°	402	24500.0118
M20	55	30	16	15.5	40	45	140	45	60.5	4°	623	24500.0120
M20	70	30	16	15.5	40	45	140	60	75.5	4°	653	24500.0121
M20	90	30	16	15.5	40	45	140	80	95.5	4°	693	24500.0122

## Compliance

### RoHS compliant

Contains lead - compliant according to exceptions 6a / 6b / 6c.

### Contains SVHC substances >0,1% w/w

Contains lead - SVHC list [REACH] as of 27.06.2024.

### Contains Proposition 65 substances



Lead can cause cancer and reproductive harm from exposure  
<https://www.P65Warnings.ca.gov/>

### Free from Conflict Minerals

This product does not contain any substances designated as "conflict minerals" such as tantalum, tin, gold or tungsten from the Democratic Republic of Congo or adjacent countries.