

## High Knurled Thumb Screws • DIN 464

EH 24790.



### Product Description

Knurled thumb screws are very versatile. Three material versions for the different requirements

- steel, blackened
- steel, zinc-plated by galvanization
- stainless steel

are available.

Knurled thumb screws can be easily tightened and released by hand. The ribbed outer surface of the nut prevents slipping when tightening / releasing with the fingers.

Knurled screws are one-piece manufactured. Contrary to the Standard Sheet, they are generally manufactured with a thread up to the head and with runout without undercut at the end of the thread. The screws can therefore not be screwed in up to the collar.

### Material

- Steel, blackened, quality 5.8
- Steel, zinc-plated by galvanization, quality 5.8
- Stainless steel 1.4305, dull blasted

### More information

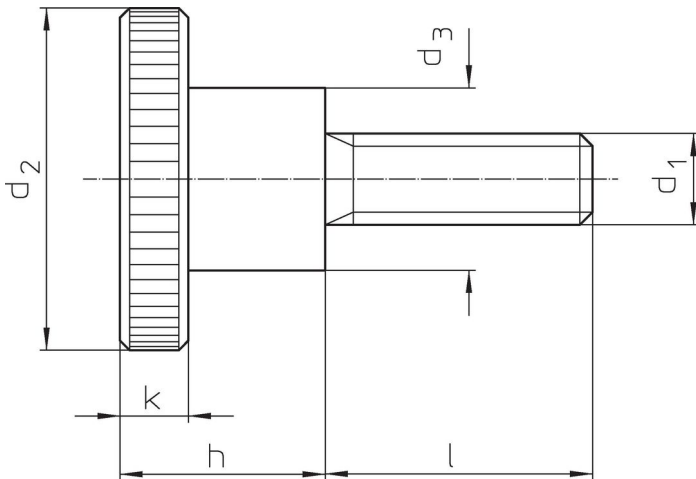
#### Notes

Knurling pitch and knurling depth may differ from DIN.

#### Further products


- Flat Knurled Thumb Screws, DIN 653

### Drawing



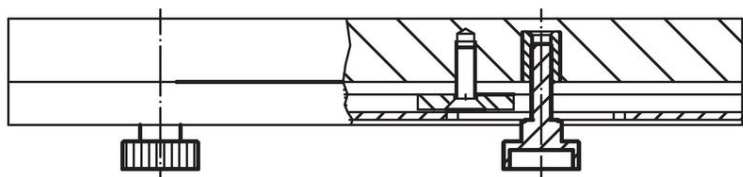
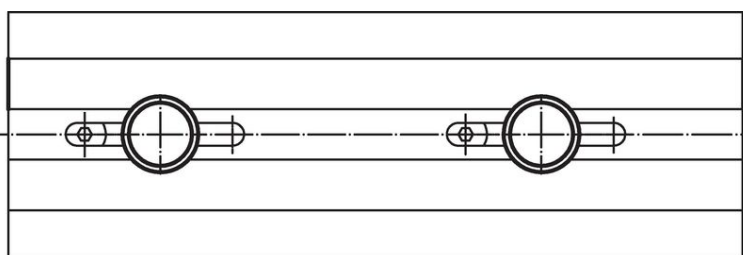
### Order information

d <sub>1</sub>	l	d <sub>2</sub>	Dimensions			[g]	Art. No.
			d <sub>3</sub>	h	k		
Steel, blackened, quality 5.8							
M 3	6	12	6	7.5	2.5	3.7	<a href="#">24790.0074</a>
M 3	10	12	6	7.5	2.5	3.8	<a href="#">24790.0076</a>
M 3	12	12	6	7.5	2.5	4.0	<a href="#">24790.0077</a>
M 3	16	12	6	7.5	2.5	4.0	<a href="#">24790.0079</a>
M 3	20	12	6	7.5	2.5	4.5	<a href="#">24790.0081</a>
M 4	5	16	8	9.5	3.5	7.7	<a href="#">24790.0092</a>
M 4	8	16	8	9.5	3.5	8.0	<a href="#">24790.0094</a>
M 4	10	16	8	9.5	3.5	8.1	<a href="#">24790.0095</a>
M 4	12	16	8	9.5	3.5	8.6	<a href="#">24790.0096</a>
M 4	16	16	8	9.5	3.5	8.4	<a href="#">24790.0098</a>
M 4	20	16	8	9.5	3.5	9.1	<a href="#">24790.0100</a>
M 4	25	16	8	9.5	3.5	9.0	<a href="#">24790.0102</a>
M 5	6	20	10	11.5	4.0	14.0	<a href="#">24790.0112</a>
M 5	8	20	10	11.5	4.0	15.0	<a href="#">24790.0113</a>
M 5	10	20	10	11.5	4.0	15.0	<a href="#">24790.0114</a>
M 5	12	20	10	11.5	4.0	15.0	<a href="#">24790.0115</a>

d <sub>1</sub>	l	Dimensions				h	k		Art. No.
		d <sub>2</sub>	d <sub>3</sub>	[mm]					
M 5	16	20	10	11.5	4.0	16.0	24790.0117		
M 5	20	20	10	11.5	4.0	16.0	24790.0119		
M 5	25	20	10	11.5	4.0	17.0	24790.0121		
M 5	30	20	10	11.5	4.0	17.0	24790.0123		
M 6	8	24	12	15.0	5.0	28.0	24790.0132		
M 6	10	24	12	15.0	5.0	27.0	24790.0133		
M 6	12	24	12	15.0	5.0	28.0	24790.0134		
M 6	16	24	12	15.0	5.0	28.0	24790.0136		
M 6	20	24	12	15.0	5.0	29.0	24790.0138		
M 6	25	24	12	15.0	5.0	30.0	24790.0140		
M 6	30	24	12	15.0	5.0	31.0	24790.0142		
M 6	35	24	12	15.0	5.0	31.0	24790.0144		
M 8	12	30	16	18.0	6.0	53.0	24790.0152		
M 8	16	30	16	18.0	6.0	55.0	24790.0154		
M 8	20	30	16	18.0	6.0	56.0	24790.0156		
M 8	25	30	16	18.0	6.0	58.0	24790.0158		
M 8	30	30	16	18.0	6.0	60.0	24790.0160		
M 8	35	30	16	18.0	6.0	62.0	24790.0162		
M 8	40	30	16	18.0	6.0	61.0	24790.0164		
M10	15	36	20	23.0	8.0	104.0	24790.0171		
M10	20	36	20	23.0	8.0	106.0	24790.0173		
M10	25	36	20	23.0	8.0	109.0	24790.0175		
M10	30	36	20	23.0	8.0	112.0	24790.0177		
M10	35	36	20	23.0	8.0	116.0	24790.0179		
M10	40	36	20	23.0	8.0	116.0	24790.0181		
<b>Steel, zinc-plated by galvanization</b>									
M 3	6	12	6	7.5	2.5	4.0	24790.0474		
M 3	8	12	6	7.5	2.5	4.0	24790.0475		
M 3	10	12	6	7.5	2.5	4.0	24790.0476		
M 3	12	12	6	7.5	2.5	4.0	24790.0477		
M 3	16	12	6	7.5	2.5	5.0	24790.0479		
M 3	20	12	6	7.5	2.5	5.0	24790.0481		
M 4	5	16	8	9.5	3.5	9.0	24790.0492		
M 4	8	16	8	9.5	3.5	8.0	24790.0494		
M 4	10	16	8	9.5	3.5	8.0	24790.0495		
M 4	12	16	8	9.5	3.5	8.0	24790.0496		
M 4	16	16	8	9.5	3.5	8.0	24790.0498		
M 4	20	16	8	9.5	3.5	9.0	24790.0500		
M 4	25	16	8	9.5	3.5	9.0	24790.0502		
M 5	6	20	10	11.5	4.0	15.0	24790.0512		
M 5	8	20	10	11.5	4.0	15.0	24790.0513		
M 5	10	20	10	11.5	4.0	15.0	24790.0514		
M 5	12	20	10	11.5	4.0	14.0	24790.0515		
M 5	16	20	10	11.5	4.0	15.0	24790.0517		
M 5	20	20	10	11.5	4.0	16.0	24790.0519		
M 5	25	20	10	11.5	4.0	16.0	24790.0521		
M 5	30	20	10	11.5	4.0	17.0	24790.0523		
M 6	8	24	12	15.0	5.0	27.0	24790.0532		
M 6	10	24	12	15.0	5.0	27.0	24790.0533		
M 6	12	24	12	15.0	5.0	27.0	24790.0534		
M 6	16	24	12	15.0	5.0	28.0	24790.0536		
M 6	20	24	12	15.0	5.0	29.0	24790.0538		
M 6	25	24	12	15.0	5.0	28.0	24790.0540		
M 6	30	24	12	15.0	5.0	30.0	24790.0542		
M 6	35	24	12	15.0	5.0	31.0	24790.0544		
M 8	12	30	16	18.0	6.0	55.0	24790.0552		
M 8	16	30	16	18.0	6.0	55.0	24790.0554		
M 8	20	30	16	18.0	6.0	56.0	24790.0556		
M 8	25	30	16	18.0	6.0	58.0	24790.0558		
M 8	30	30	16	18.0	6.0	50.0	24790.0560		
M 8	35	30	16	18.0	6.0	63.0	24790.0562		
M 8	40	30	16	18.0	6.0	62.0	24790.0564		

d <sub>1</sub>	l	Dimensions				h	k	[g]	Art. No.
		d <sub>2</sub>	d <sub>3</sub> [mm]						
M10	12	36	20		23.0	8.0	105.0	24790.0570	
M10	15	36	20		23.0	8.0	106.0	24790.0571	
M10	20	36	20		23.0	8.0	107.0	24790.0573	
M10	25	36	20		23.0	8.0	110.0	24790.0575	
M10	30	36	20		23.0	8.0	112.0	24790.0577	
M10	35	36	20		23.0	8.0	115.0	24790.0579	
M10	40	36	20		23.0	8.0	116.0	24790.0581	
<b>Stainless steel 1.4305</b>									
M 3	6	12	6		7.5	2.5	3.7	24790.0274	
M 3	10	12	6		7.5	2.5	3.8	24790.0276	
M 3	12	12	6		7.5	2.5	4.0	24790.0277	
M 3	16	12	6		7.5	2.5	4.0	24790.0279	
M 4	8	16	8		9.5	3.5	8.0	24790.0294	
M 4	10	16	8		9.5	3.5	8.1	24790.0295	
M 4	12	16	8		9.5	3.5	8.6	24790.0296	
M 4	16	16	8		9.5	3.5	8.4	24790.0298	
M 4	20	16	8		9.5	3.5	9.1	24790.0300	
M 4	25	16	8		9.5	3.5	9.0	24790.0302	
M 5	10	20	10		11.5	4.0	15.0	24790.0314	
M 5	12	20	10		11.5	4.0	15.0	24790.0315	
M 5	16	20	10		11.5	4.0	16.0	24790.0317	
M 5	20	20	10		11.5	4.0	16.0	24790.0319	
M 5	25	20	10		11.5	4.0	17.0	24790.0321	
M 5	30	20	10		11.5	4.0	17.0	24790.0323	
M 6	12	24	12		15.0	5.0	28.0	24790.0334	
M 6	16	24	12		15.0	5.0	28.0	24790.0336	
M 6	20	24	12		15.0	5.0	29.0	24790.0338	
M 6	25	24	12		15.0	5.0	30.0	24790.0340	
M 6	30	24	12		15.0	5.0	31.0	24790.0342	
M 6	35	24	12		15.0	5.0	31.0	24790.0344	
M 8	16	30	16		18.0	6.0	55.0	24790.0354	
M 8	20	30	16		18.0	6.0	56.0	24790.0356	
M 8	25	30	16		18.0	6.0	58.0	24790.0358	
M 8	30	30	16		18.0	6.0	60.0	24790.0360	
M 8	35	30	16		18.0	6.0	62.0	24790.0362	

### Application example



### Compliance

For detailed compliance information please select the desired article number.