

Clamping Cubes

1508.200



Product Description

Material

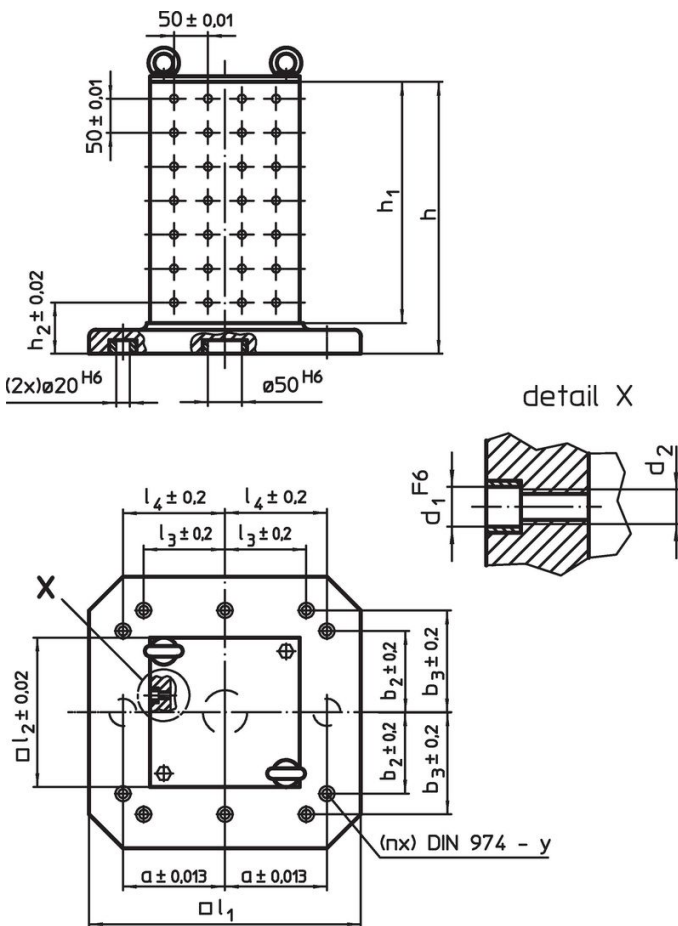
- Grey cast iron GG

More information


Notes

Customized design on request.

Drawing



Order information

System	Dimensions										y	For screws	Number of fastening holes n	Number of hole rows	 [kg]	Art. No.
	l ₁	l ₂	h ₁	h	h ₂	d ₁	d ₂	a	b ₂	l ₄						
L12	400	230	358	408	75	12	M12	150	150	150	12	M12	4	4 x 7	97	1508.200

Compliance

RoHS compliant

Contains lead - compliant according to exceptions 6a / 6b / 6c.

Contains SVHC substances >0,1% w/w

Contains lead - SVHC list [REACH] as of 27.06.2024.

Contains Proposition 65 substances



Lead can cause cancer and reproductive harm from exposure
<https://www.P65Warnings.ca.gov/>

Free from Conflict Minerals

This product does not contain any substances designated as "conflict minerals" such as tantalum, tin, gold or tungsten from the Democratic Republic of Congo or adjacent countries.