

Clamping Angles

1606.800



Product Description

Material

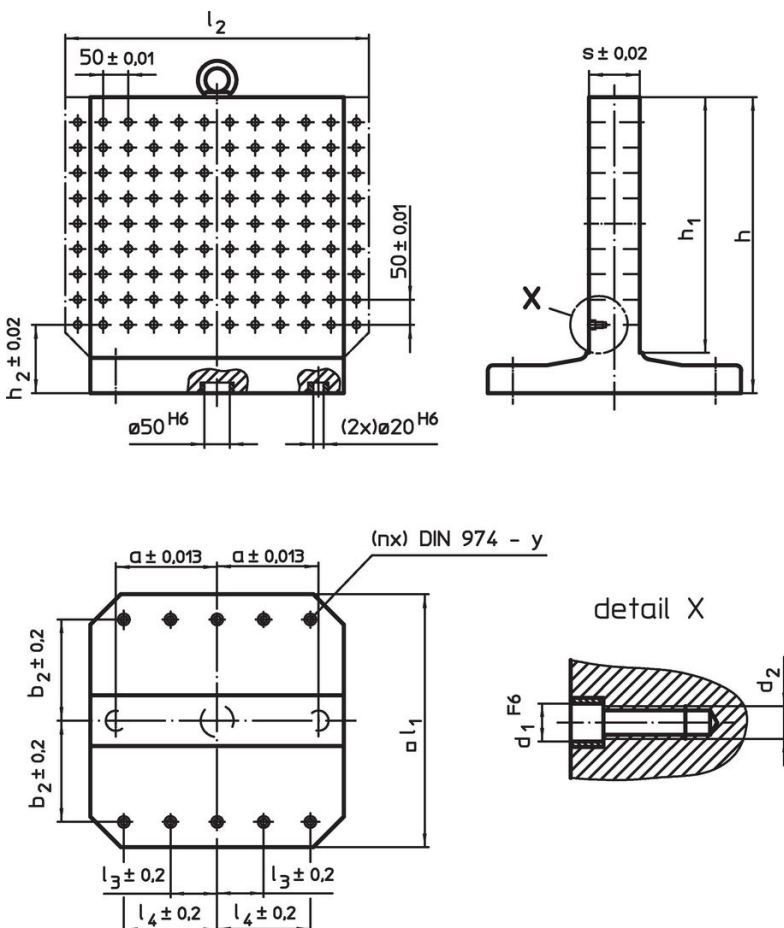
- Grey cast iron GG

More information


Notes

Customized design on request.

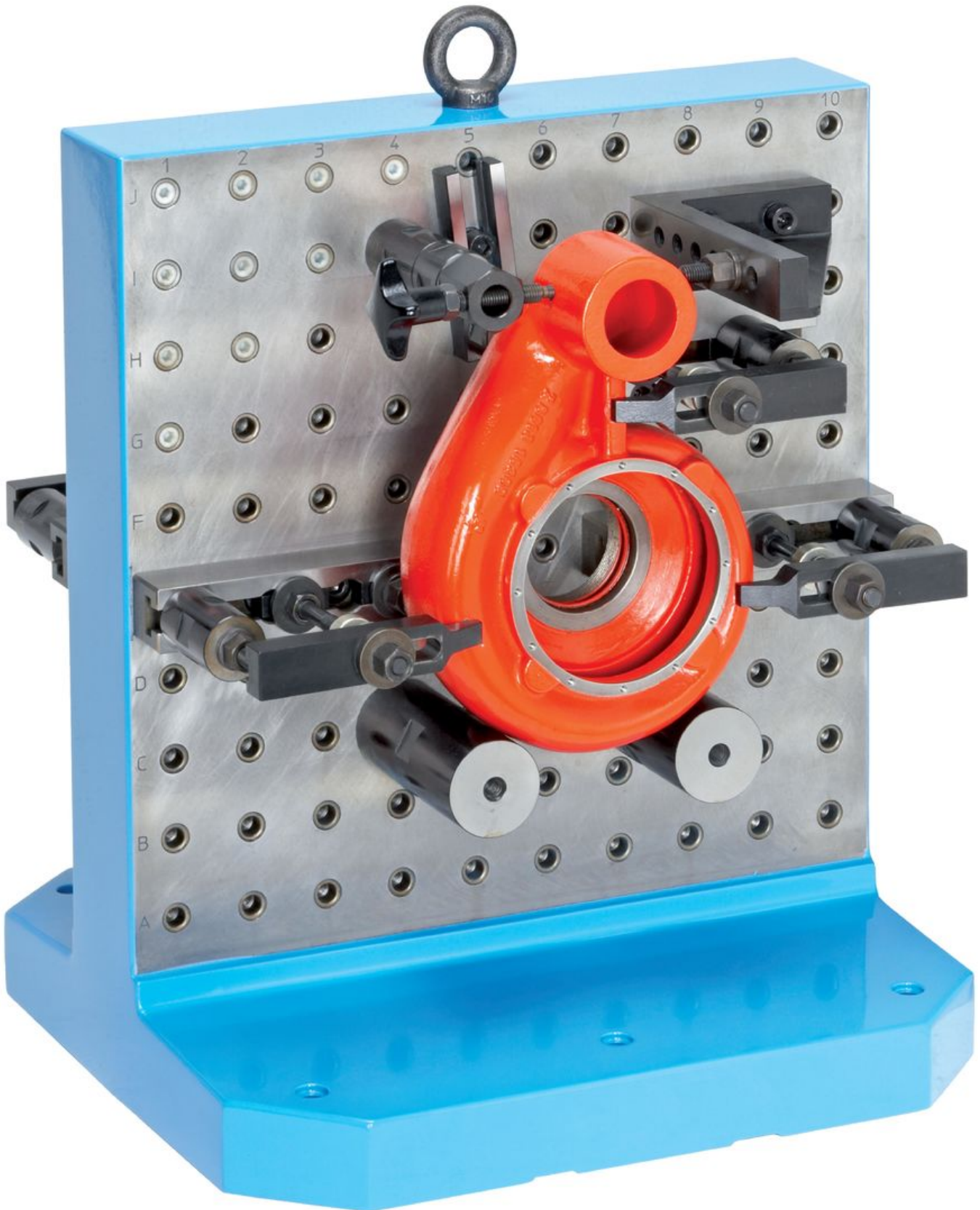
Drawing

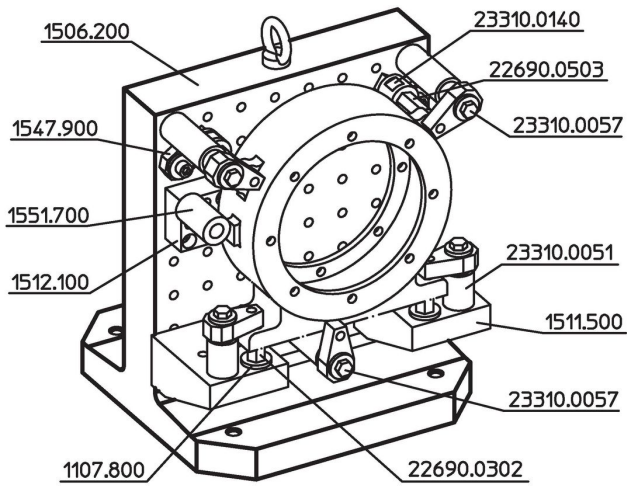


Order information

System	Dimensions											y	For screws	Number of fastening holes n	Number of hole rows	 [kg]	Art. No.
	l ₁	h ₁	h	h ₂	d ₁	d ₂	a	b ₂	l ₃	l ₄	s						
L16	800	800	910	135	16	M16	300	300	100	300	150	16	M16	8	16 x 16	745	1606.800

Application example





Compliance

RoHS compliant

Contains lead - compliant according to exceptions 6a / 6b / 6c.

Contains SVHC substances >0,1% w/w

Contains lead - SVHC list [REACH] as of 27.06.2024.

Contains Proposition 65 substances



Lead can cause cancer and reproductive harm from exposure
<https://www.P65Warnings.ca.gov/>

Free from Conflict Minerals

This product does not contain any substances designated as "conflict minerals" such as tantalum, tin, gold or tungsten from the Democratic Republic of Congo or adjacent countries.