

## Positioning Bushings • for index bolts and index plungers

22110.0478



### Product Description

Positioning bushings are suitable for locating the locking pin of the index bolt or index plunger. Can also be mounted in mounting blocks, die-cast EH 22110. and mounting blocks EH 22120.. Low wear thanks to hardened running ball.

### Material

- Stainless steel, hardened

### More information

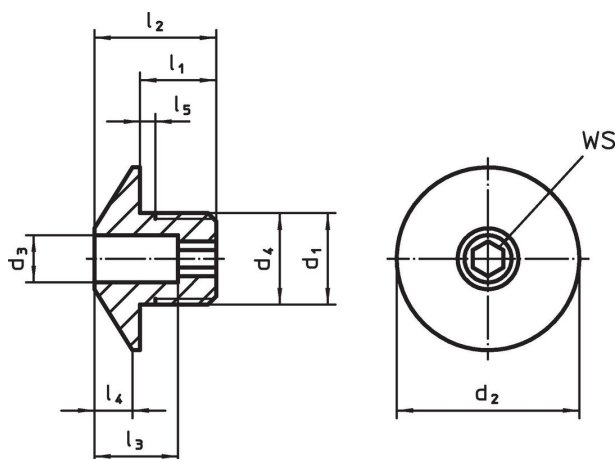
#### Notes

The thread is matched to the mounting blocks for index bolts and index plungers, die-cast (EH 22110.) and mounting blocks for index bolts and index plungers (EH 22120.).


#### Further products

- Mounting Blocks, for index bolts and index plungers, die-cast
- Mounting Blocks, for index bolts and index plungers

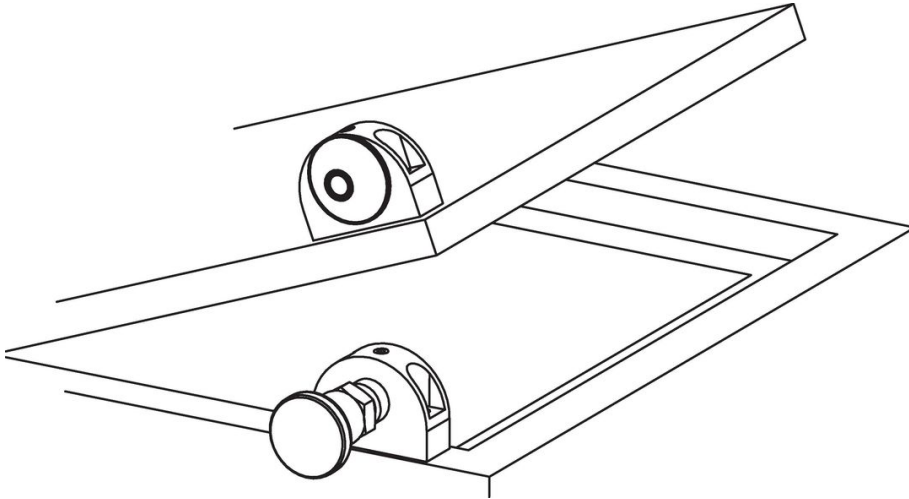
### Drawing



### Order information

Dimensions									For pin	WS		Art. No.
d <sub>1</sub>	d <sub>3</sub> +0.1	d <sub>2</sub>	d <sub>4</sub> -0.05	l <sub>1</sub>	l <sub>2</sub>	l <sub>3</sub>	l <sub>4</sub>	l <sub>5</sub> +0.5	[mm]	[mm]	[g]	
[mm]												
Stainless steel												
M16 x 1,5	8.2	32	16	12	20	13	7	1.5	8	6	36	22110.0478

## Application example



## Compliance

### RoHS compliant

Compliant according to Directive 2011/65/EU and Directive 2015/863.

### Does not contain SVHC substances

No SVHC substances with more than 0.1% w/w contained - SVHC list [REACH] as of 27.06.2024.

### Does not contain Proposition 65 substances

No Proposition 65 substances included.

<https://www.P65Warnings.ca.gov/>

### Free from Conflict Minerals

This product does not contain any substances designated as "conflict minerals" such as tantalum, tin, gold or tungsten from the Democratic Republic of Congo or adjacent countries.