

Index Plungers · with mounting flange, horizontal, stainless steel

22110.2305



**Product Description**

Index plungers are used for indexing bores.

**Material**

**Housing**

- Stainless steel 1.4308, precision casting, bright, matt blasted

**Locking pin**

- Stainless steel 1.4305

**Pull-ring**

- Stainless steel 1.4310

**Assembly**

Assembly by means of washers ISO 7092.

**Operation**

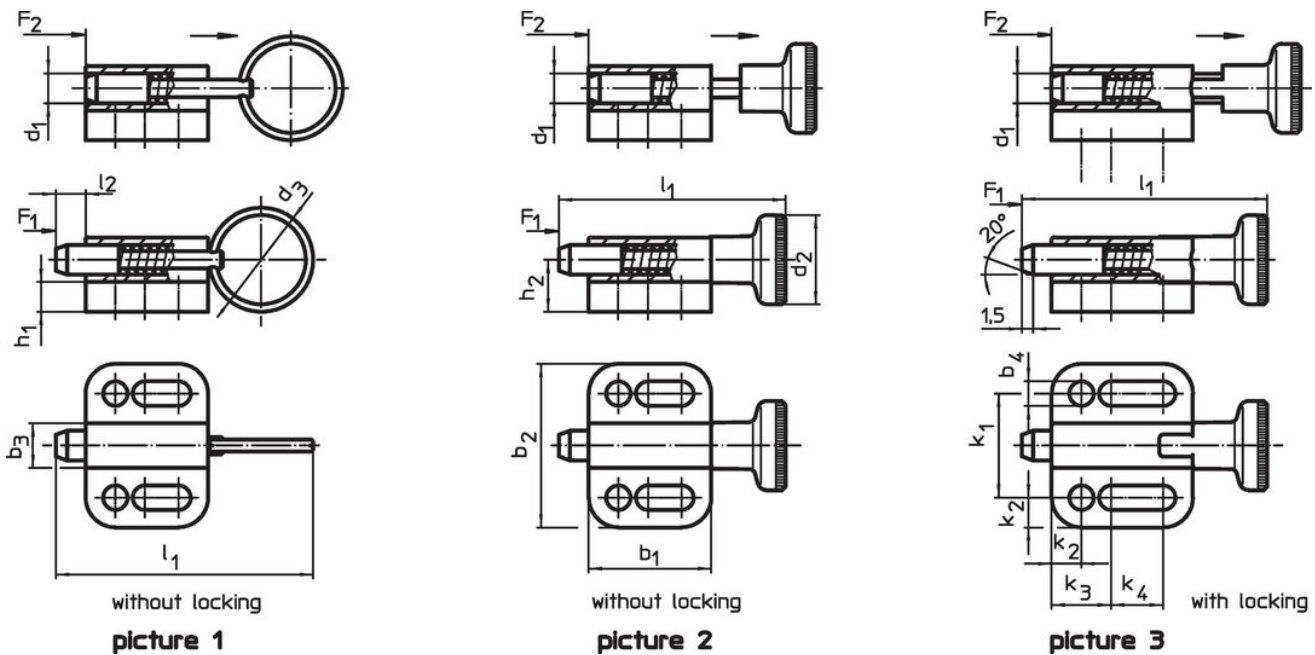
When using locking index plungers, the knob is pulled-out, turned 90° and secured by a notched catch (when locking pin should not overhang).

**More information**

**Notes**

Knob not removable.

**Drawing**



**Order information**

Dimensions														Spring load <sup>1)</sup>		🌡️	📦	Art. No.	
d <sub>1</sub>	d <sub>3</sub>	b <sub>1</sub>	b <sub>2</sub>	b <sub>3</sub>	b <sub>4</sub>	h <sub>1</sub>	h <sub>2</sub>	k <sub>1</sub>	k <sub>2</sub>	k <sub>3</sub>	k <sub>4</sub>	l <sub>1</sub>	l <sub>2</sub>	F <sub>1</sub>	F <sub>2</sub>	max.	[g]		
h11					-0.2			±0.05					min.	~	~	[N]	[°C]		
[mm]																			
<b>with pull-ring, without locking – picture 1</b>																			
5	18	22	28	8	4.3	4.5	9.5	18	5	10	7	45	5	5	24	100	24	22110.2305	

<sup>1)</sup> statistical average value

## Compliance

### RoHS compliant

Compliant according to Directive 2011/65/EU and Directive 2015/863.

### Does not contain SVHC substances

No SVHC substances with more than 0.1% w/w contained - SVHC list [REACH] as of 27.06.2024.

### Does not contain Proposition 65 substances

No Proposition 65 substances included.

<https://www.P65Warnings.ca.gov/>

### Free from Conflict Minerals