

## Mounting Blocks · for index bolts and index plungers

22120.0346



### Product Description

Assembly support and extended application for index bolts and index plungers (sizes 6, 8 and 10). Can also be used for locating the locating bushings and positioning bushings EH 22110..

### Material

#### Grub Screw

- Steel, blackened, with brass pad

#### Body

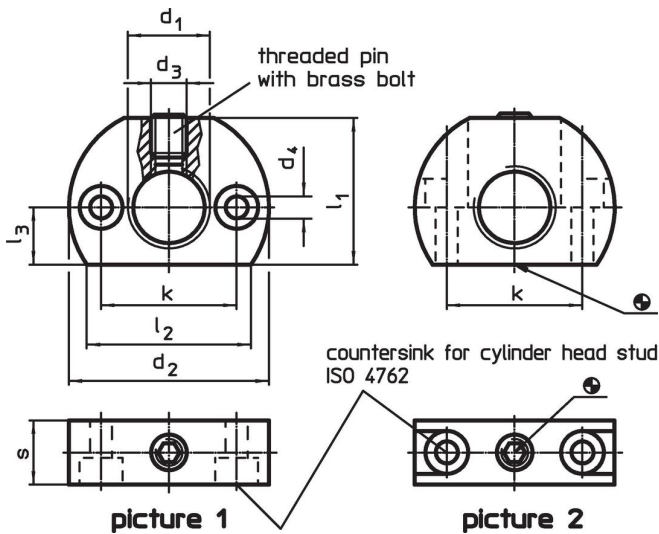
- Steel, blackened

### More information

#### Further products

- Locating Bushings, for index bolts and index plungers
- Positioning Bushings, for index bolts and index plungers

### Drawing



### Order information

Dimensions									max. [°C]	[g]	Art. No.	
d <sub>1</sub>	d <sub>2</sub>	d <sub>3</sub>	d <sub>4</sub>	k ±0.1	l <sub>1</sub>	l <sub>2</sub> ~	l <sub>3</sub>	s				
[mm]												
mounting hole parallel to index bolt and index plunger – picture 1, Steel												
M16 x 1,5	46	M8	5.5	32	33	38	13	15	250	122	22120.0346	

## Application example



## Compliance

### RoHS compliant

Contains lead - compliant according to exceptions 6a / 6b / 6c.

### Contains SVHC substances >0,1% w/w

Contains lead - SVHC list [REACH] as of 27.06.2024.

### Contains Proposition 65 substances



Lead can cause cancer and reproductive harm from exposure  
<https://www.P65Warnings.ca.gov/>

### Free from Conflict Minerals

This product does not contain any substances designated as "conflict minerals" such as tantalum, tin, gold or tungsten from the Democratic Republic of Congo or adjacent countries.