

## Support Legs · impact cushioning

22594.0025



### Product Description

The support legs are universally usable as adjustable legs. These support legs with a rubber foot have a damping, noise-reducing effect, and prevent damage to the support surface.

#### Material

##### Body

- NBR

##### Screw

- Steel, zinc-plated by galvanization

##### Disc

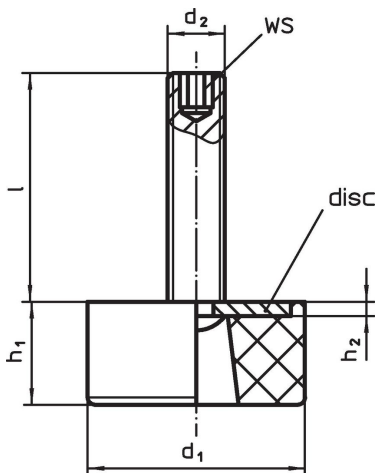
- Steel, zinc-plated by galvanization

#### More information

##### Further products

- Rubber Endstop Buffers, cylindrical
- Rubber Endstop Buffers, parabolic
- Rubber Endstop Buffers, truncated cone form

### Drawing



### Order information

Dimensions						Load capacity for static load max. [N]	Temperature range		Weight [g]	Art. No.
d <sub>1</sub>	l	d <sub>2</sub> [mm]	h <sub>1</sub>	h <sub>2</sub>	WS		min.	max.		
32	40	M8	18	2	4	840	-30	120	37	22594.0025

## Compliance

### RoHS compliant

Contains lead - compliant according to exceptions 6a / 6b / 6c.

### Contains SVHC substances >0,1% w/w

Contains lead - SVHC list [REACH] as of 27.06.2024.

### Contains Proposition 65 substances



Lead can cause cancer and reproductive harm from exposure  
<https://www.P65Warnings.ca.gov/>

### Free from Conflict Minerals

This product does not contain any substances designated as "conflict minerals" such as tantalum, tin, gold or tungsten from the Democratic Republic of Congo or adjacent countries.