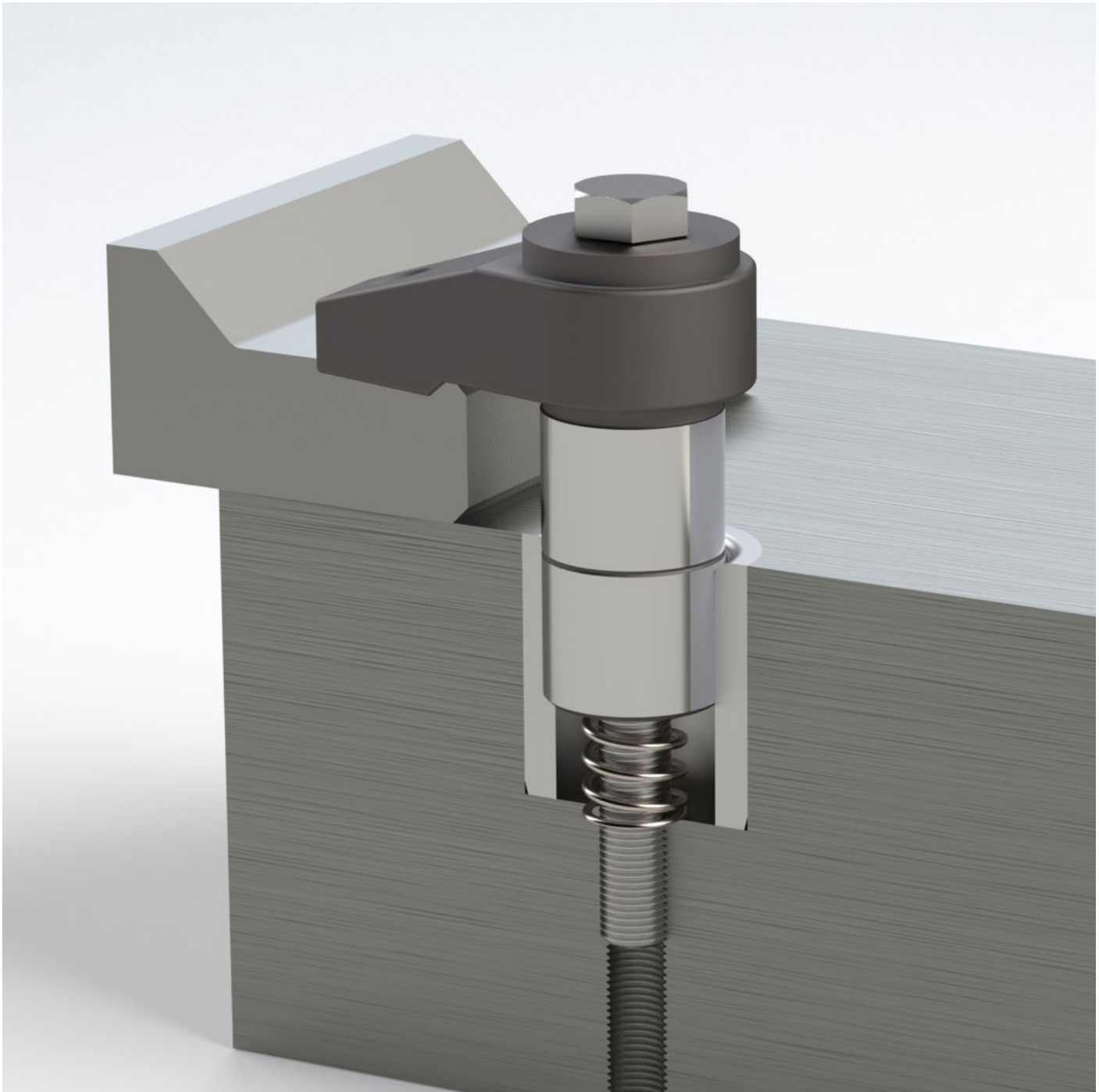
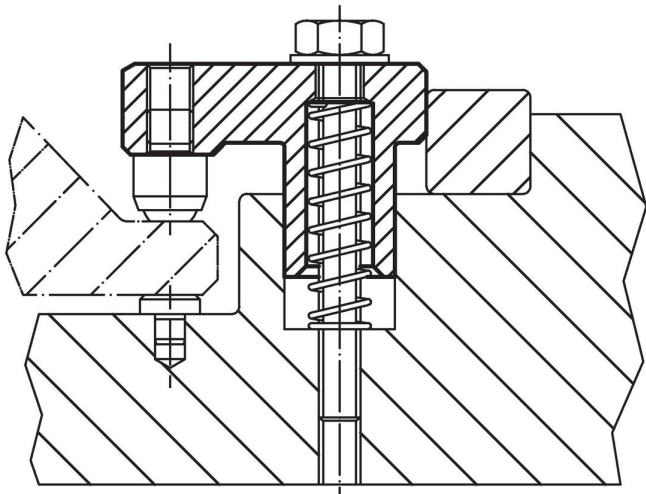
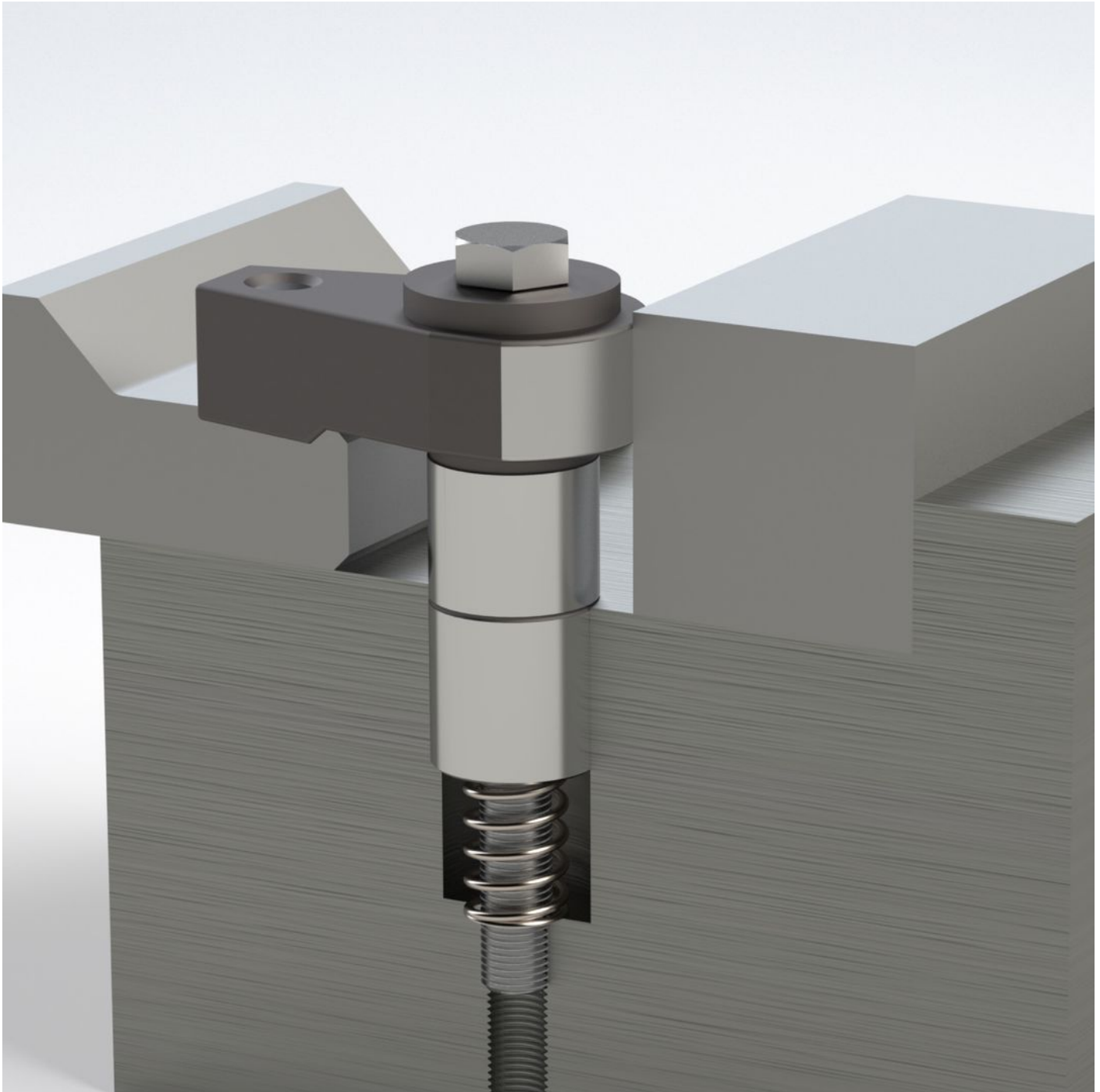


Order information

d ₁ f7	h ₁	b ₁	d ₂	d ₃	Dimensions								r ±0.02	Stroke [mm]	WS [mm]	Location hole			Clamping force [kN]	Tightening torque max. [Nm]	Art. No.
					h ₂ [mm]	h ₃	h ₄	l ₁	l ₂	l ₃	l ₄	D1 H7 [mm]				D2 [mm]	L1 [mm]	[g]			
with ground supporting surface – picture 1																					
28	20 – 41	40	M12	M12	83	106	13	77	55	43	150	22	21	18	28	M12	64	10	30	770	23370.0083

Application example





Compliance

RoHS compliant

Compliant according to Directive 2011/65/EU and Directive 2015/863.

Does not contain SVHC substances

No SVHC substances with more than 0.1% w/w contained - SVHC list [REACH] as of 27.06.2024.

Does not contain Proposition 65 substances

No Proposition 65 substances included.

<https://www.P65Warnings.ca.gov/>

Free from Conflict Minerals

This product does not contain any substances designated as "conflict minerals" such as tantalum, tin, gold or tungsten from the Democratic Republic of Congo or adjacent countries.