

## Rubber Endstop Buffers · cylindrical, front mounting

25150.1516



## Product Description

To be used as an elastic end-stop, bearing foot etc.  
The hardness is  $55 \pm 5^\circ$  shore A. Further shore hardnesses ( $40 \pm 5^\circ$  shore A and  $70 \pm 5^\circ$  shore A) on request.

## Material

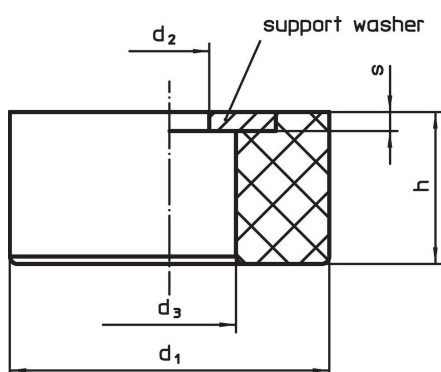
## Support washer

- Stainless steel 1.4301

## Body

- NBR

## Drawing



## Order information

Dimensions					Spring rate R ~ [N/mm]	Load capacity max. [N]	Spring range ~ [mm]	Temperature range		Weight [g]	Art. No.
d <sub>1</sub>	h	d <sub>2</sub>	d <sub>3</sub>	s				min.	max.		
16	8	4.3	8	1	140	280	2	-30	120	1.9	25150.1516

## Compliance

## RoHS compliant

Compliant according to Directive 2011/65/EU and Directive 2015/863.

## Does not contain SVHC substances

No SVHC substances with more than 0.1% w/w contained - SVHC list [REACH] as of 27.06.2024.

## Does not contain Proposition 65 substances

No Proposition 65 substances included.

<https://www.P65Warnings.ca.gov/>

## Free from Conflict Minerals

This product does not contain any substances designated as "conflict minerals" such as tantalum, tin, gold or tungsten from the Democratic Republic of Congo or adjacent countries.