

Hinges • Zinc die-cast, with indexing positions

25164.0010



Product Description

Hinges from zinc die-cast with indexing positions hold door and covers in fixed positions. It avoids undesired automatic closing or opening. This is an advantage for example when filling machines and facilities or during maintenance and repairs.

The version with the indexing positions -3° and 117° (picture 2) also ensures that the door or cover presses slightly against the housing frame by the -3° when closed.

These hinges from zinc die-cast are characterised by their simple and timeless design.

Material

Body

- Zinc die-cast, plastic coated, silver, similar to RAL 9006, matt structure

Axis

- Stainless steel 1.4305

Spring

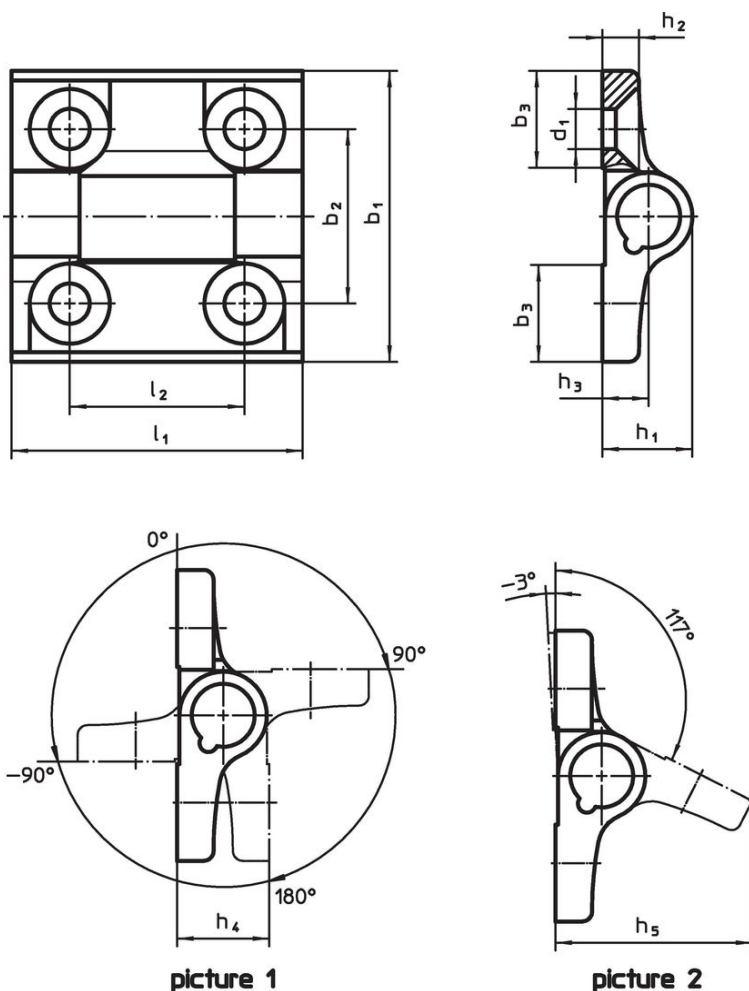
- Spring steel wire

More information

Further products

- Spacer Plates, for hinges
- Threaded Plates, for hinges

Drawing



picture 1

picture 2

Order information

Dimensions											max. [°C]	[g]	Art. No.	
b_1	l_1	b_2	b_3	d_1	h_1	h_2	h_3	h_4	h_5	l_2				
indexing positions -3° and 117° – picture 2, Zinc die-cast, silver														
60	60	36	20	8.3	18.5	7.5	9.5	19	40.5	36	80	152	25164.0010	

Compliance

RoHS compliant

Compliant according to Directive 2011/65/EU and Directive 2015/863.

Does not contain SVHC substances

No SVHC substances with more than 0.1% w/w contained - SVHC list [REACH] as of 27.06.2024.

Does not contain Proposition 65 substances

No Proposition 65 substances included.

<https://www.P65Warnings.ca.gov/>

Free from Conflict Minerals

This product does not contain any substances designated as "conflict minerals" such as tantalum, tin, gold or tungsten from the Democratic Republic of Congo or adjacent countries.