

Clamping Angles

EH 1506.200 - EH 1606.800



Product Description

Material

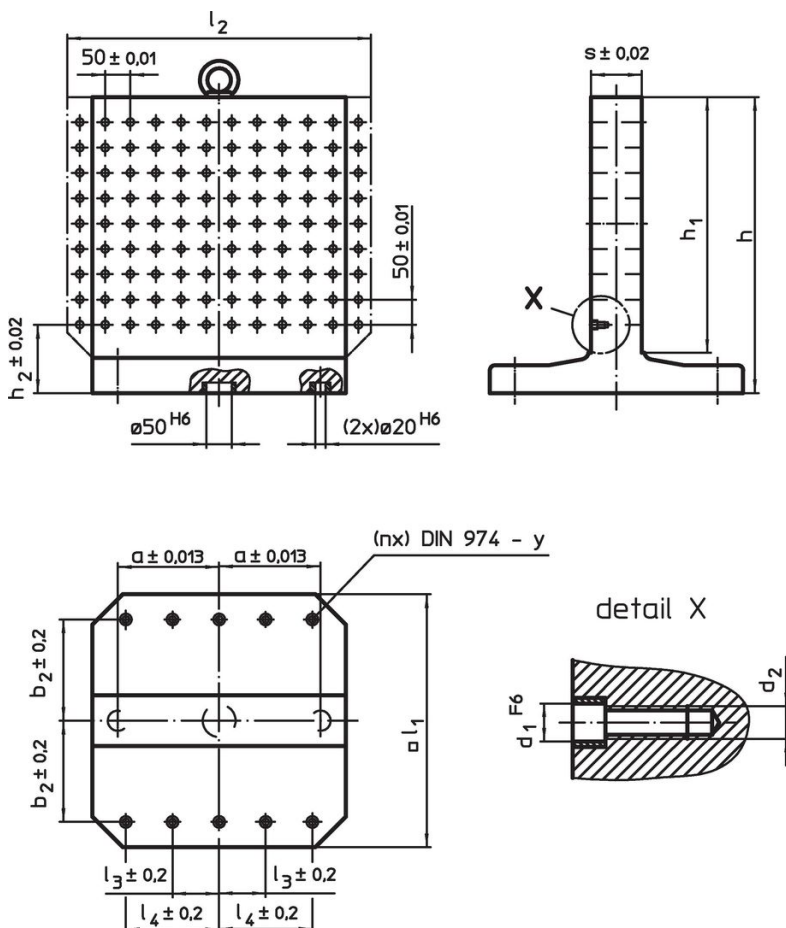
- Grey cast iron GG

More information


Notes

Customized design on request.

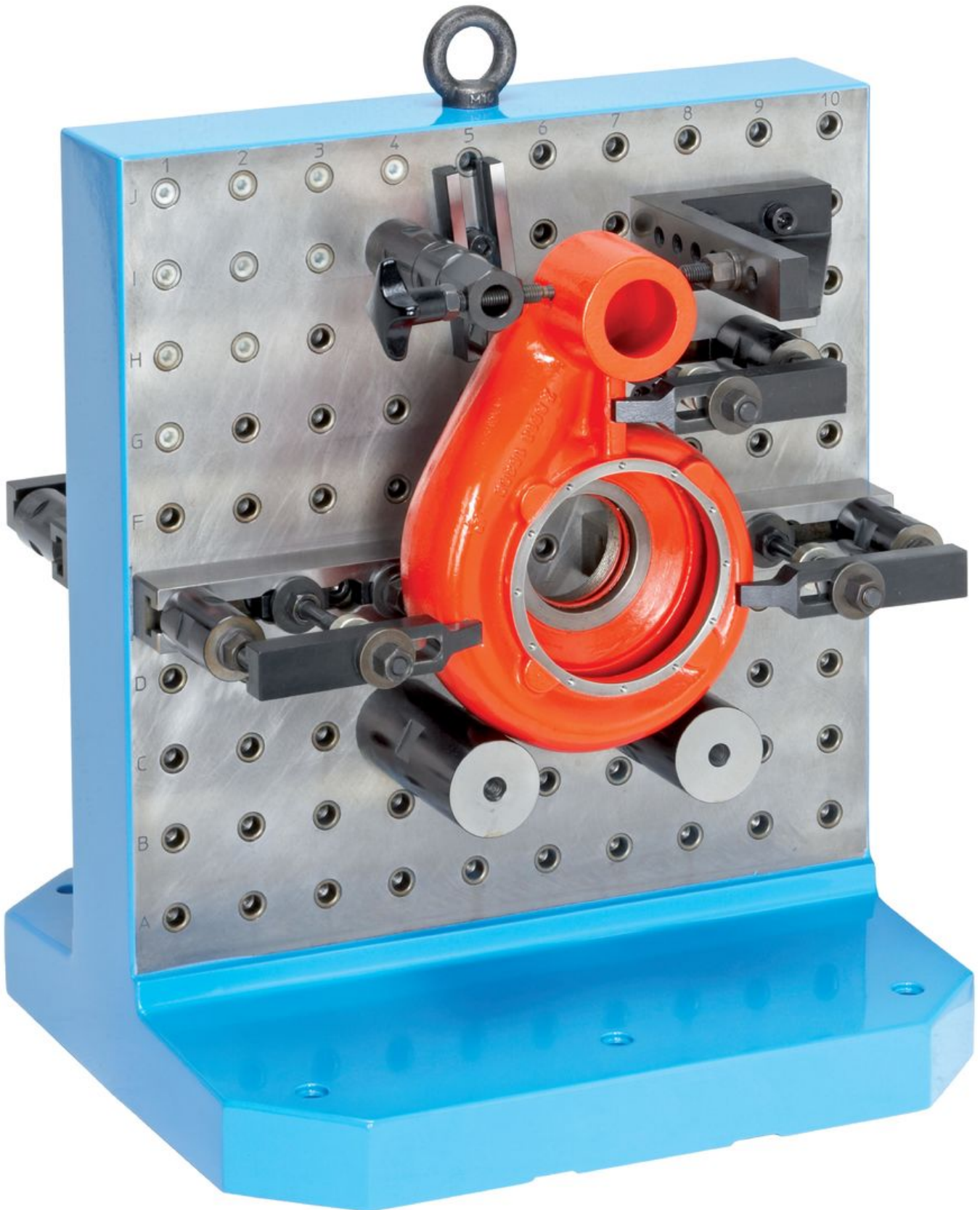
Drawing

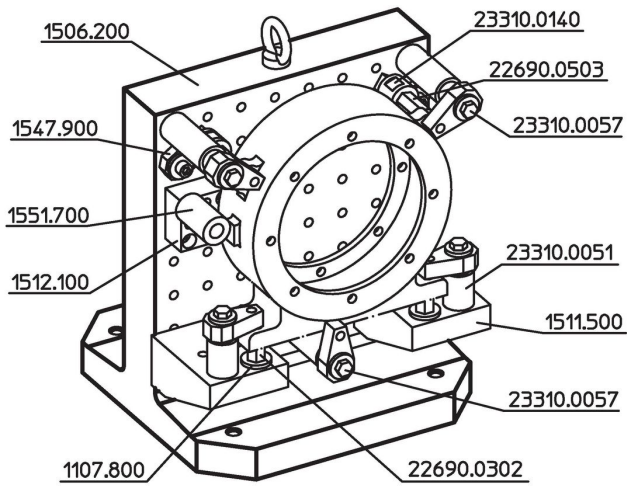


Order information

System	Dimensions												y	For screws	Number of fastening holes n	Number of hole rows		Art. No.
	l ₁	l ₂	h ₁	h	h ₂	d ₁	d ₂	a	b ₂	l ₃	l ₄	s						
L12	400	–	400	475	100	12	M12	150	150	–	150	80	12	M12	4	8 x 8	153	1506.200
L12	400	500	400	475	100	12	M12	150	150	–	150	80	12	M12	4	10 x 8	168	1506.300
L12	500	–	500	595	120	12	M12	200	200	–	200	100	12	M12	6	10 x 10	295	1506.400
L12	500	630	500	595	120	12	M12	200	200	–	200	100	12	M12	6	12 x 10	326	1506.500
L16	630	–	630	725	135	16	M16	200	200	–	200	130	16	M16	6	12 x 12	440	1606.600
L16	800	–	800	910	135	16	M16	300	300	100	300	150	16	M16	8	16 x 16	745	1606.800

Application example





Compliance

RoHS compliant

Contains lead - compliant according to exceptions 6a / 6b / 6c.

Contains SVHC substances >0,1% w/w

Contains lead - SVHC list [REACH] as of 27.06.2024.

Contains Proposition 65 substances



Lead can cause cancer and reproductive harm from exposure
<https://www.P65Warnings.ca.gov/>

Free from Conflict Minerals

This product does not contain any substances designated as "conflict minerals" such as tantalum, tin, gold or tungsten from the Democratic Republic of Congo or adjacent countries.