

Stops · with mounting thread
EH 1586.



Product Description

Material

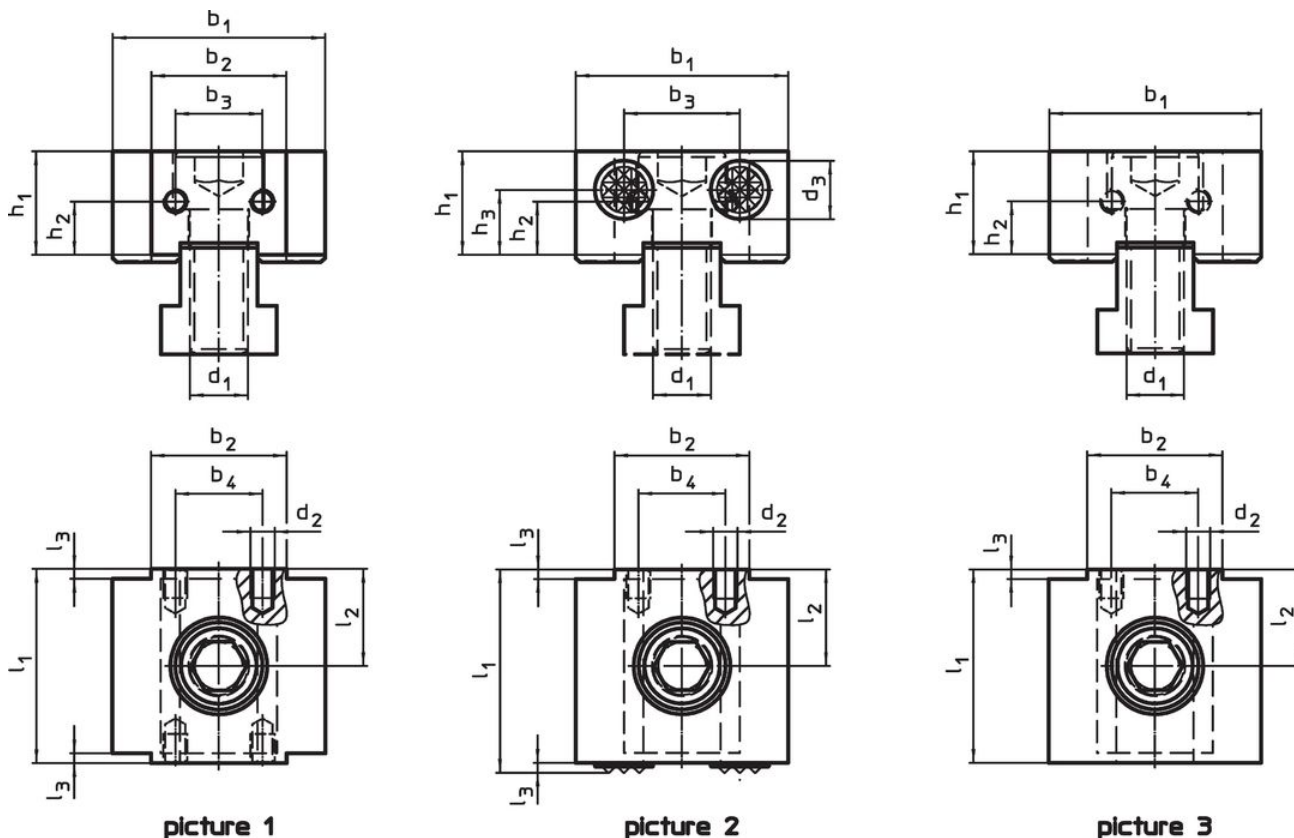
Inserts

- Hard metal

Body

- Tool steel, hardened

Drawing



Order information

Dimensions													[g]	Art. No.
d ₁	d ₂	d ₃	l ₁	l ₂ ±0.01	l ₃	b ₁ -0.05	b ₂ -0.05	b ₃	b ₄	h ₁	h ₂	h ₃		
mounting thread on both sides – picture 1														
M12	M5	-	40	20	2	44	28	18	18	21.4	11	11.0	379	1586.080
ribbed and mounting thread – picture 2														
M12	M5	12	42	20	2	44	28	24	18	21.4	11	13.4	397	1586.081
plain and mounting thread – picture 3														
M12	M5	-	40	20	2	44	28	-	18	21.4	11	-	397	1586.082

Compliance

RoHS compliant

Compliant according to Directive 2011/65/EU and Directive 2015/863.

Does not contain SVHC substances

No SVHC substances with more than 0.1% w/w contained - SVHC list [REACH] as of 27.06.2024.

Does not contain Proposition 65 substances

No Proposition 65 substances included.

<https://www.P65Warnings.ca.gov/>

Free from Conflict Minerals

This product does not contain any substances designated as "conflict minerals" such as tantalum, tin, gold or tungsten from the Democratic Republic of Congo or adjacent countries.