

Lateral Plungers • smooth, with seal

EH 22150.



Product Description

To be used for positioning and applying pressure, e.g. during painting and sandblasting. Sealed against chips and dirt.

Material

Seal

- CR

Body

- Aluminium Al

Spring

- Stainless steel
- Steel, blackened
- Steel, zinc-plated by galvanization

Pin

- Steel, case-hardened, zinc-plated by galvanization
- Thermoplastic POM, white

Assembly

Installation by pressing in.

Formula for calculating the center distance for the mounting hole:

$$l_0 = z/2 + w + x,$$

l_0 = center distance,

y = workpiece height,

w = workpiece length,

x = coordinate dimension,

s = stroke,

z = stop diameter

Calculation dimension x :

y greater than or equal to $l_2 - d_2/2$,

then $x = d_2/2 - s$

(value x for this case see table)

or

y smaller than $l_2 - d_2/2$,

then $x = d_2/2 - s - [(l_2 - d_2/2 - y) * 0,123]$

Characteristic

Version light spring load = spring from stainless steel

Version standard spring load = spring from steel, blackened

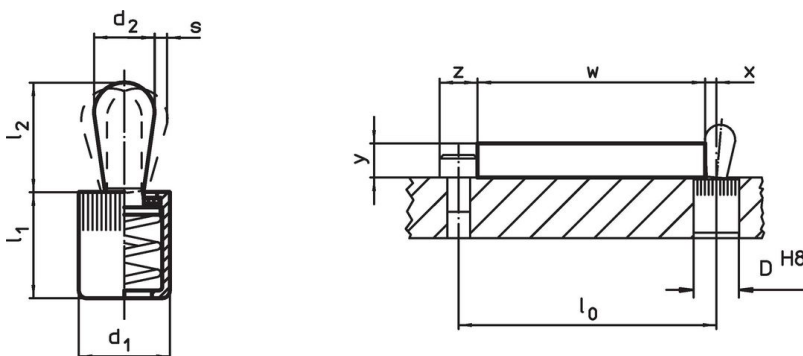
Version heavy spring load = spring from steel, zinc-plated by galvanization

More information

Further products

- Eccentric Mounting Bushings, for lateral plungers, smooth

Drawing




Order information

Dimensions		Spring load F max. ¹⁾ ~	Dimensions		Stroke s	Location hole D H8	x ²⁾	max. [°C]	[g]	Art. No.
d ₁	d ₂		l ₁ -2	l ₂ ±0.5						
Pin: Steel/pin from steel, light spring load										
6	3	10	7.5	4.0	0.5	6	1.0	110	0.6	22150.0110
10	5	20	12.0	6.3	0.8	10	1.7	110	2.6	22150.0120
10	6	40	12.0	10.3	1.0	10	1.9	110	3.5	22150.0125
12	8	50	14.5	13.2	1.3	12	2.7	110	6.9	22150.0130
16	10	100	18.5	16.4	1.6	16	3.1	110	15.0	22150.0140
Pin: Steel/pin from steel, standard spring load										
6	3	20	7.5	4.0	0.5	6	1.0	110	0.6	22150.0111
10	5	50	12.0	6.3	0.8	10	1.7	110	2.9	22150.0121
10	6	75	12.0	10.3	1.0	10	1.9	110	3.6	22150.0126
12	8	100	14.5	13.2	1.3	12	2.7	110	7.5	22150.0131
16	10	150	18.5	16.4	1.6	16	3.1	110	15.0	22150.0141
Pin: Steel/pin from steel, heavy spring load										
6	3	40	7.5	4.0	0.5	6	1.0	110	0.7	22150.0112
10	5	100	12.0	6.3	0.8	10	1.7	110	3.0	22150.0122
10	6	100	12.0	10.3	1.0	10	1.9	110	3.9	22150.0127
12	8	150	14.5	13.2	1.3	12	2.7	110	7.9	22150.0132
16	10	200	18.5	16.4	1.6	16	3.1	110	16.0	22150.0142
Pin: Thermoplastic/pin from thermoplastic, light spring load										
6	3	10	7.5	4.0	0.5	6	1.0	80	0.4	22150.0150
10	5	20	12.0	6.3	0.8	10	1.7	80	1.4	22150.0160
10	6	40	12.0	10.3	1.0	10	1.9	80	1.6	22150.0165
12	8	50	14.5	13.5	1.3	12	2.7	80	2.9	22150.0170
16	10	100	18.5	16.4	1.6	16	3.1	80	7.3	22150.0180

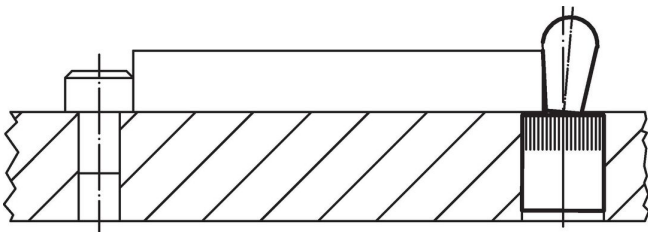
¹⁾ statistical average value

²⁾ If the workpiece height (y) is less than l₂-d₂/2, the coordinate dimension (x) must be calculated.

Accessories

	Dimensions d ₁ [mm]	[g]	Art. No.
assembly tool			
	6	19	22150.0830
	10	49	22150.0831
	12	86	22150.0832
	16	105	22150.0833

Application example



Compliance

For detailed compliance information please select the desired article number.