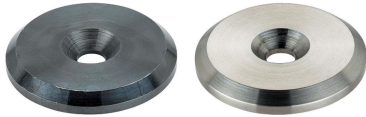


Shaft-End Washers

EH 22270.



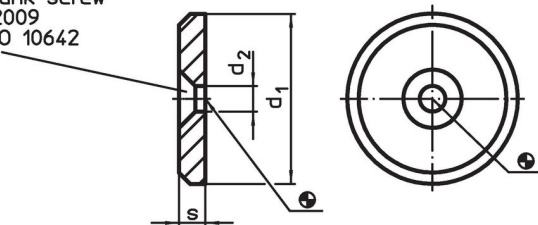
Product Description

Material


- Free cutting steel, unhardened, blackened
- Stainless steel 1.4305

Drawing

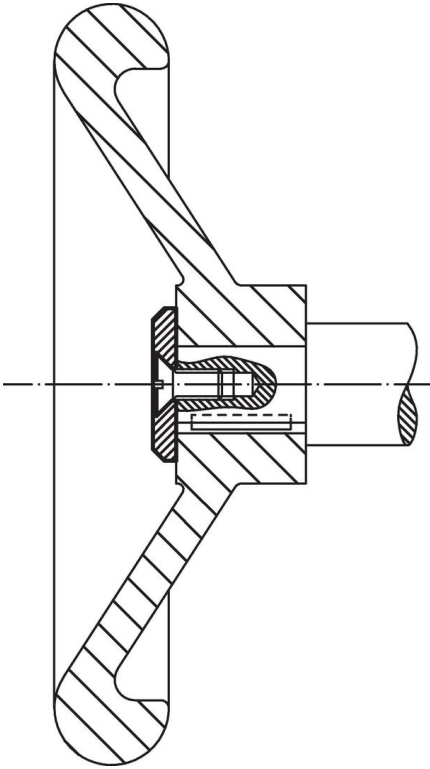
for countersunk screw
DIN EN ISO 2009
or DIN EN ISO 10642



Order information

d ₁	Dimensions		s	 [g]	Art. No.
	d ₂	[mm]			
Free cutting steel					
16	4.5		3.0	3.6	22270.0016
20	4.5		3.0	6.1	22270.0020
22	5.5		3.5	8.1	22270.0022
25	5.5		3.5	11.0	22270.0025
28	5.5		3.5	14.0	22270.0028
32	6.6		4.0	22.0	22270.0032
36	6.6		4.0	28.0	22270.0036
40	6.6		5.0	44.0	22270.0040
45	6.6		6.0	66.0	22270.0045
52	6.6		6.0	91.0	22270.0052
Stainless steel					
16	4.5		3.0	3.6	22270.0116
20	4.5		3.0	6.1	22270.0120
22	5.5		3.5	8.1	22270.0122
25	5.5		3.5	11.0	22270.0125
28	5.5		3.5	14.0	22270.0128
32	6.6		4.0	22.0	22270.0132
36	6.6		4.0	28.0	22270.0136
40	6.6		5.0	44.0	22270.0140
45	6.6		6.0	66.0	22270.0145
52	6.6		6.0	91.0	22270.0152

Application example



Compliance

For detailed compliance information please select the desired article number.