

Threaded Lifting Pins • self-locking

EH 22352.



Product Description

Heavy-duty lifting element for quick and easy use, with moveable shackle and locking stud to provide protection against unintentional unlocking. For lifting loads, the threaded lifting pin is inserted into a threaded hole. In contrast to a ringbolt, time-consuming screwing in and out is therefore unnecessary.

All versions are corrosion-protected. The version made of stainless steel is also resistant to corrosion and weathering, so it is also suitable for external use. In addition, the high-strength, precipitation-hardened pin makes extreme loads possible.

Material

Pin part

- Heat-treated steel, tempered, manganese phosphated
- Stainless steel 1.4542, precipitation-hardened

Press button

- Aluminium, orange, anodised

Threaded element

- Stainless steel 1.4542, precipitation-hardened

Shackle

- Heat-treated steel, tempered, manganese phosphated
- Stainless steel 1.4571

Spring

- Stainless Steel

Assembly

Threaded lifting pins can be mounted into a thread that is true to gauge.

Mounting:

1. Press in the button and hold it down.
2. Insert the threaded lifting pin.
3. Release the button (The button must be back in its original position.).
4. Tighten the threaded lifting pin by hand, until it bears completely on the bearing surface.
5. It must be ensured that the threaded segments are engaged in the mounting thread.

Dismantling:

1. Unscrew the threaded lifting pin approx. a quarter of a turn anticlockwise.
2. Press in the button and hold it down.
3. Remove the threaded lifting pin.
4. Release the button.

Operation

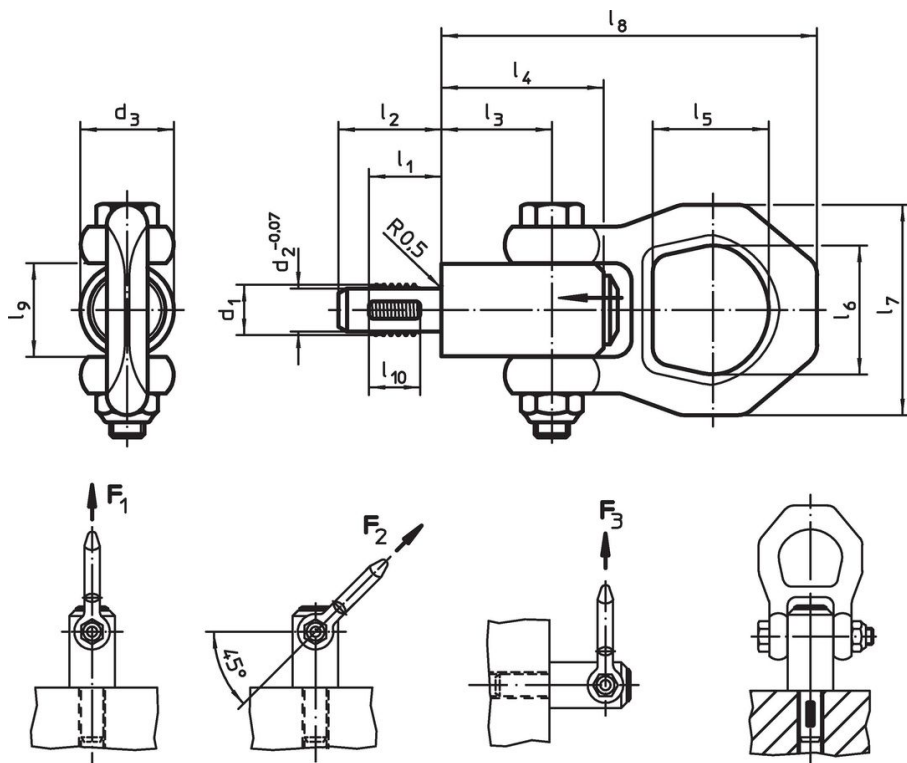
Each threaded lifting pin contains an instruction manual with an EC Declaration of Conformity.

More information

Further products

- Lifting Pins, self-locking
- Lifting Pins, self-locking, stainless steel
- Threaded Lifting Pins, self-locking, for centre holes according to DIN 332
- Threaded Lifting Pins, self-locking, with rotatable shackle
- Threaded Lifting Pins, self-locking - INCH
- Threaded Lifting Pins, self-locking, with rotatable shackle - INCH

Drawing



Order information

Dimensions													Load capacity according to DIN EN 13155			Locating thread	max. [°C]	[g]	Art. No.
d ₁	l ₁	d ₂ -0.07	d ₃	l ₂	l ₃	l ₄	l ₅	l ₆	l ₇	l ₈	l ₉	l ₁₀	F ₁	F ₂	F ₃				
[mm]													[kN]						
Heat-treated steel																			
M 8	12	6.62	21.5	17.8	25.7	36	27.0	30.0	49	87.5	21.5	8	2.1	0.9	0.8	M 8	250	274	22352.0008
M10	14	8.35	21.5	20.0	25.7	36	27.0	30.0	49	87.5	21.5	10	3.9	1.5	1.5	M10	250	268	22352.0010
M12	17	10.07	21.5	24.0	25.7	36	27.0	30.0	49	87.5	21.5	12	6.2	2.5	2.3	M12	250	273	22352.0012
M14	17	11.80	21.5	24.0	25.7	36	27.0	30.0	49	87.5	21.5	12	7.8	4.2	2.9	M14	250	279	22352.0014
M16	17	13.80	21.5	24.0	25.7	36	27.0	30.0	49	87.5	21.5	12	8.4	4.5	4.2	M16	250	284	22352.0016
M20	22	17.25	30.0	30.0	36.5	52	32.6	36.0	56	114.0	26.0	17	16.6	7.7	5.8	M20	250	586	22352.0020
M24	27	20.70	36.0	36.0	42.0	60	50.6	49.8	82	152.0	36.0	22	23.0	11.1	8.6	M24	250	1187	22352.0024
M27	31	23.67	45.0	40.0	42.0	60	50.6	49.8	82	152.0	36.0	26	33.8	15.7	13.7	M27	250	1546	22352.0027
M30	35	26.10	45.0	45.0	42.0	60	50.6	49.8	82	152.0	36.0	30	42.3	21.5	15.5	M30	250	1596	22352.0030
Stainless steel																			
M 8	12	6.62	21.5	17.8	25.7	36	27.0	30.0	49	87.5	21.5	8	2.1	0.9	0.8	M 8	250	274	22352.1008
M10	14	8.35	21.5	20.0	25.7	36	27.0	30.0	49	87.5	21.5	10	3.9	1.5	1.5	M10	250	268	22352.1010
M12	17	10.07	21.5	24.0	25.7	36	27.0	30.0	49	87.5	21.5	12	6.2	2.5	2.3	M12	250	273	22352.1012
M16	17	13.80	21.5	24.0	25.7	36	27.0	30.0	49	87.5	21.5	12	8.4	4.5	4.2	M16	250	284	22352.1016
M20	22	17.25	30.0	30.0	36.5	52	32.6	36.0	56	114.0	26.0	17	10.0	7.7	5.8	M20	250	519	22352.1020
M24	27	20.70	36.0	36.0	42.0	60	50.6	49.8	82	152.0	36.0	22	23.0	11.1	8.6	M24	250	1187	22352.1024

Application example









Compliance

RoHS compliant

Contains lead - compliant according to exceptions 6a / 6b / 6c.

Contains SVHC substances >0,1% w/w

Contains lead - SVHC list [REACH] as of 27.06.2024.

Contains Proposition 65 substances



Lead can cause cancer and reproductive harm from exposure
<https://www.P65Warnings.ca.gov/>

Free from Conflict Minerals

This product does not contain any substances designated as "conflict minerals" such as tantalum, tin, gold or tungsten from the Democratic Republic of Congo or adjacent countries.