

Hard Metal Inserts • for locating hole

EH 22620.



Product Description

Basic element to be mounted into clamping devices, clamping jaws, clamping arms, claw feed systems and so forth.

Zero play transmission of high holding forces, e.g. on cast or forged pieces.

Material

- Insert**
- Hard metal, ribbed
 - Hard metal, pointed

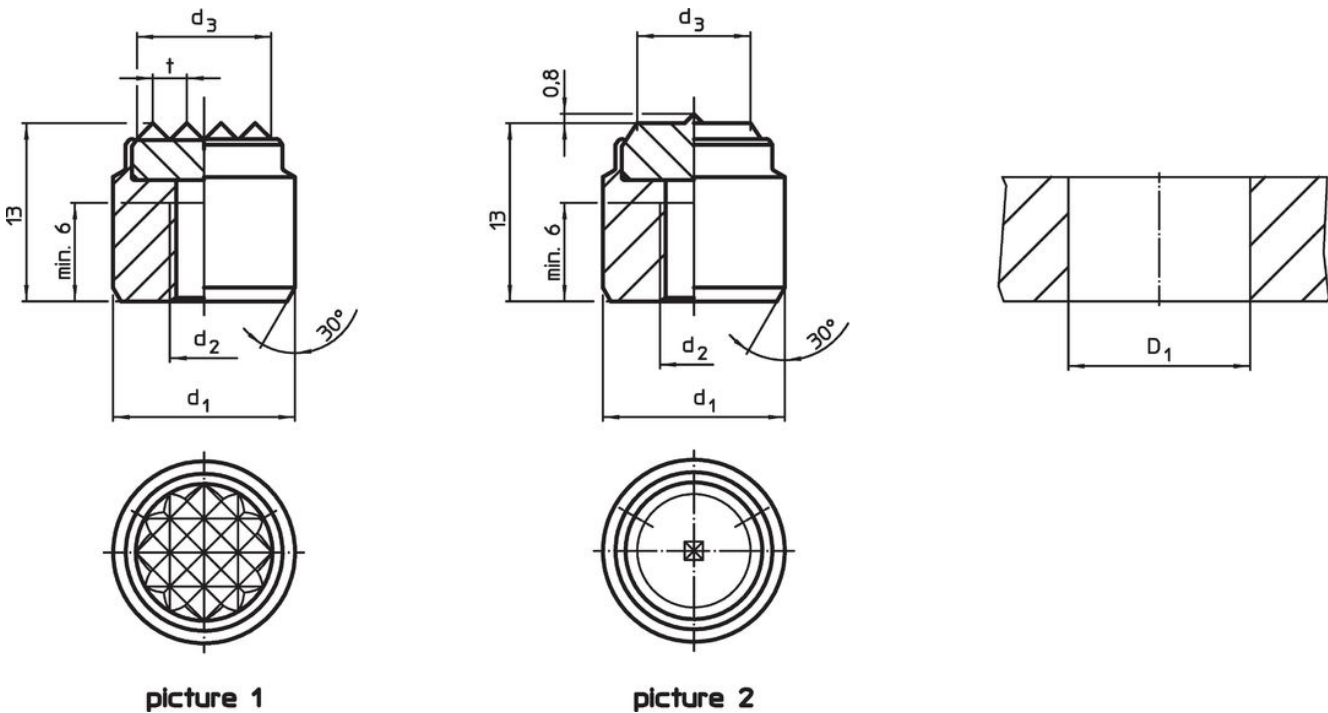
Body

- Heat-treated steel, tempered, phosphated

Assembly

Assembly via a locating hole, the insert can be fastened by means of a screw.

Drawing



Order information

d ₁ n6	Dimensions			t	Location hole D ₁ H7 [mm]	[g]	Art. No.
	d ₂	d ₃	[mm]				
ribbed – picture 1							
10	M5	7.7	2	10	7.2	22620.0208	
14	M6	10.6	2	14	15.0	22620.0211	
16	M6	11.9	3	16	19.0	22620.0213	
20	M6	16.0	3	20	31.0	22620.0215	
25	M6	21.0	3	25	52.0	22620.0217	
pointed – picture 2							
10	M5	6.3	–	10	7.5	22620.0228	
14	M6	9.3	–	14	15.0	22620.0231	
16	M6	10.0	–	16	20.0	22620.0233	

Application example



Compliance

RoHS compliant

Contains lead - compliant according to exceptions 6a / 6b / 6c.

Contains SVHC substances >0,1% w/w

Contains lead - SVHC list [REACH] as of 27.06.2024.

Contains Proposition 65 substances



Lead can cause cancer and reproductive harm from exposure
<https://www.P65Warnings.ca.gov/>

Free from Conflict Minerals

This product does not contain any substances designated as "conflict minerals" such as tantalum, tin, gold or tungsten from the Democratic Republic of Congo or adjacent countries.