

## Holding Plates • for down-hold clamps

EH 23210.



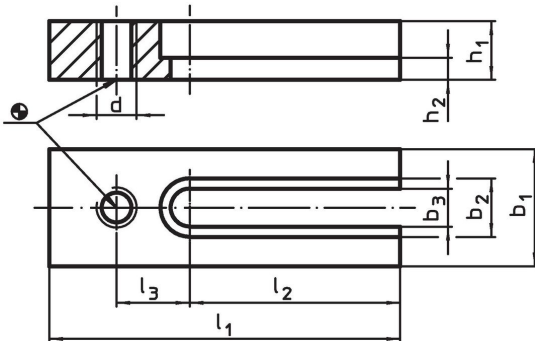
### Product Description

By using the holding plates, the down-hold clamps can also be placed in any desired position across the T-slots.

### Material

- Heat-treated steel, tempered, blackened

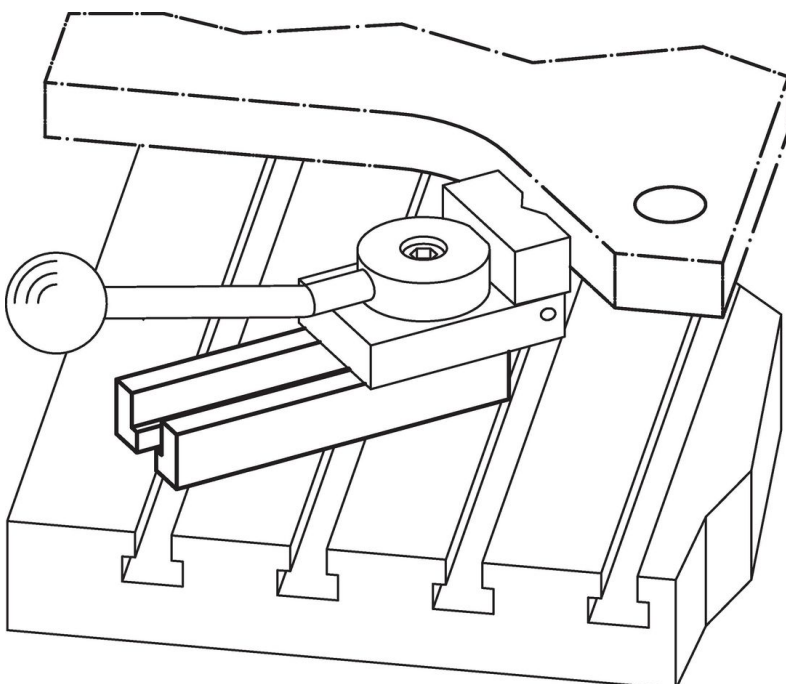
### Drawing



### Order information

b <sub>1</sub>	b <sub>2</sub>	b <sub>3</sub>	d	Dimensions					For down-hold clamps	[g]	Art. No.
				h <sub>1</sub> -0.4	h <sub>2</sub>	l <sub>1</sub>	l <sub>2</sub>	l <sub>3</sub>			
[mm]											
30	15	9	M 8	15	6.5	100	63	20	M 8	243	<a href="#">23210.0730</a>
40	20	13	M12	20	7.5	120	72	25	M12	515	<a href="#">23210.0740</a>
60	26	17	M16	30	13.0	140	80	30	M16	1456	<a href="#">23210.0760</a>
80	32	21	M20	40	18.0	200	110	50	–	3900	<a href="#">23210.0770</a>
90	38	25	M24	50	24.0	220	130	55	–	5850	<a href="#">23210.0780</a>

### Application example



## Compliance

### RoHS compliant

Compliant according to Directive 2011/65/EU and Directive 2015/863.

### Does not contain SVHC substances

No SVHC substances with more than 0.1% w/w contained - SVHC list [REACH] as of 27.06.2024.

### Does not contain Proposition 65 substances

No Proposition 65 substances included.

<https://www.P65Warnings.ca.gov/>

### Free from Conflict Minerals

This product does not contain any substances designated as "conflict minerals" such as tantalum, tin, gold or tungsten from the Democratic Republic of Congo or adjacent countries.