

Crank Handles · DIN 469 straight with square end DIN 79 EH 24330.



Product Description

With these crank handles, the seam is ground and blasted. The hub is machined.

Material

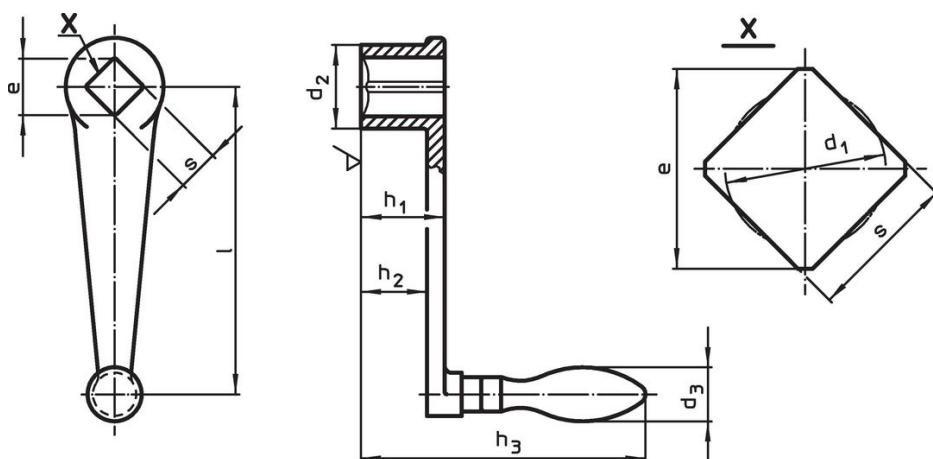
Machine handle

- Steel, turned, zinc-plated by galvanization, passivated

Handle body

- Cast iron (GTW), plastic coated, black
- Nodular cast iron, plastic coated, black


Drawing



Order information

l	s H11	e min.	Dimensions					d ₃ Machine handle Ø [mm]	[g]	Art. No.
			d ₁ [mm]	d ₂	h ₁	h ₂	h ₃			
with rotating machine handle (EH 24460., DIN 98), form D										
63	10	13.1	10.5	20	20	15	79	16	118	24330.0010 ¹⁾
80	10	13.1	10.5	24	24	18	97	18	211	24330.0020
80	12	16.1	12.6	24	24	18	97	18	197	24330.0021
100	12	16.1	12.6	28	28	21	100	20	297	24330.0030
100	14	18.1	14.7	28	28	21	100	20	293	24330.0031
125	14	18.1	14.7	34	34	26	122	22	468	24330.0040
125	17	22.2	17.9	34	34	26	122	22	433	24330.0041
160	17	22.2	17.9	38	38	29	126	25	667	24330.0050
160	19	25.2	20.0	38	38	29	126	25	665	24330.0051
200	19	25.2	20.0	44	44	34	160	28	1054	24330.0060
200	22	28.2	23.1	44	44	34	160	28	992	24330.0061
250	22	28.2	23.1	48	48	36	162	32	1441	24330.0070
250	24	32.2	25.3	48	48	36	162	32	1409	24330.0071
with fixed machine handle (EH 24450., DIN 39), form F										
63	10	13.1	10.5	20	20	15	74	16	109	24330.0110 ¹⁾
80	10	13.1	10.5	24	24	18	94	18	183	24330.0120
80	12	16.1	12.6	24	24	18	94	18	186	24330.0121
100	12	16.1	12.6	28	28	21	98	20	278	24330.0130
100	14	18.1	14.7	28	28	21	98	20	259	24330.0131
125	14	18.1	14.7	34	34	26	120	22	444	24330.0140

¹⁾ Handle body made from cast iron (GTW)

l	s H11	e min.	Dimensions					d ₃ Machine handle Ø [mm]	 [g]	Art. No.
			d ₁ [mm]	d ₂	h ₁	h ₂ ~	h ₃			
125	17	22.2	17.9	34	34	26	120	22	433	24330.0141
160	17	22.2	17.9	38	38	29	122	25	786	24330.0150
160	19	25.2	20.0	38	38	29	122	25	633	24330.0151
200	19	25.2	20.0	44	44	34	154	28	962	24330.0160
200	22	28.2	23.1	44	44	34	154	28	983	24330.0161
250	22	28.2	23.1	48	48	36	157	32	1360	24330.0170
250	24	32.2	25.3	48	48	36	157	32	1678	24330.0171

¹⁾ Handle body made from cast iron (GTW)

Compliance

For detailed compliance information please select the desired article number.