

## Height-Adjusting Elements • orienting

EH 25120.



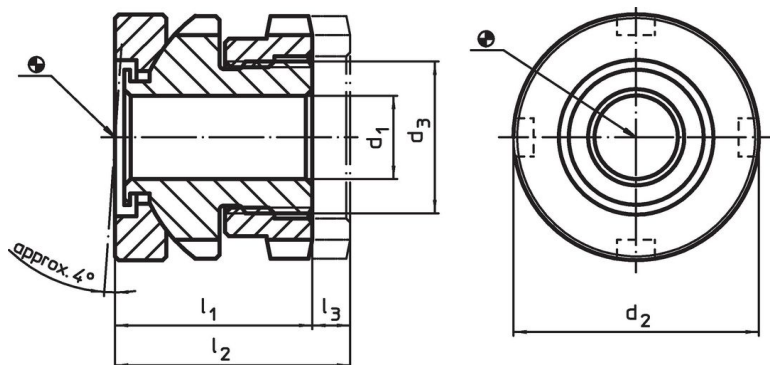
### Product Description

For levelling of machines and installations when bearing surfaces are not parallel. For vertical adjustment, the self-locking height-adjusting elements are fitted with a fine-pitch thread. All elements have a throughgoing bore for fastening purposes. A turn-out lock serves as height limit for the maximum adjustment height.

### Material

- Heat-treated steel, zinc-plated by galvanization, chromalized

### Drawing



### Order information

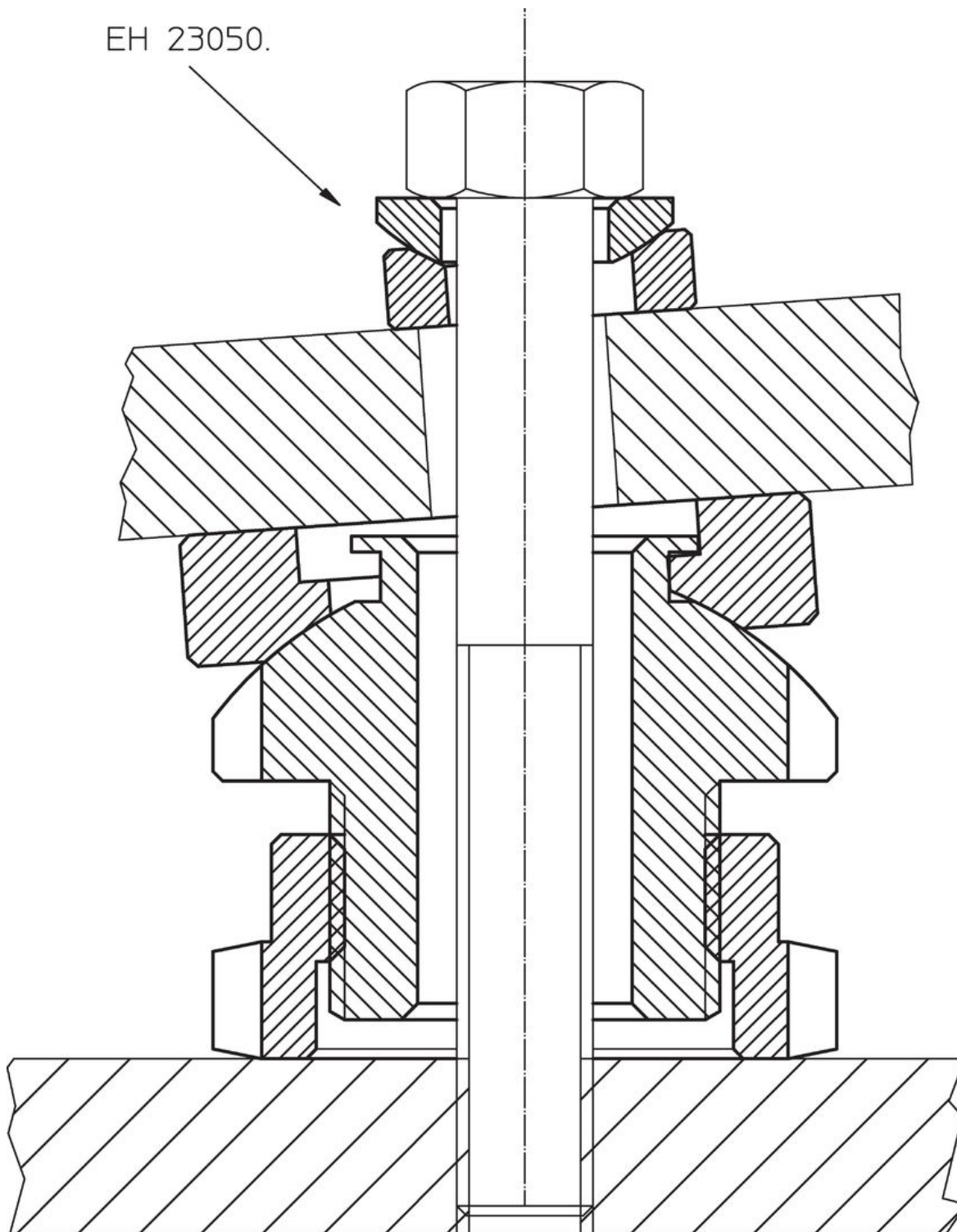
d <sub>1</sub>	d <sub>2</sub>	Dimensions d <sub>3</sub> [mm]	l <sub>1</sub> ~	l <sub>2</sub> ~	Stroke l <sub>3</sub> ~ [mm]	For screw [mm]	Load capacity for static load max. [kN]	Load capacity <sup>1)</sup> max. [kN]	[g]	Art. No.
6.6	25	M15 x 1	22	26	4	M 6	40	30.7	66	<a href="#">25120.0206</a>
6.6	32	M20 x 1	26	31	5	M 6	65	55.7	131	<a href="#">25120.0212</a>
9.0	32	M20 x 1	26	31	5	M 8	65	48.0	124	<a href="#">25120.0214</a>
11.0	32	M20 x 1	26	31	5	M10	65	37.9	117	<a href="#">25120.0216</a>
11.0	45	M30 x 1,5	34	41	7	M10	120	92.9	340	<a href="#">25120.0222</a>
13.5	45	M30 x 1,5	34	41	7	M12	120	80.4	320	<a href="#">25120.0224</a>
17.5	45	M30 x 1,5	34	41	7	M16	120	45.5	324	<a href="#">25120.0226</a>
17.5	58	M40 x 1,5	44	53	9	M16	210	136.0	775	<a href="#">25120.0232</a>
22.0	58	M40 x 1,5	44	53	9	M20	210	90.0	641	<a href="#">25120.0234</a>
26.0	58	M40 x 1,5	44	53	9	M24	210	37.0	683	<a href="#">25120.0236</a>
22.0	70	M50 x 1,5	50	60	10	M20	330	210.0	1157	<a href="#">25120.0242</a>
26.0	70	M50 x 1,5	50	60	10	M24	330	157.0	1114	<a href="#">25120.0244</a>
33.0	70	M50 x 1,5	50	60	10	M30	330	53.0	990	<a href="#">25120.0246</a>

<sup>1)</sup> Load capacity after deduction of the maximum preload force for screws 8.8.

### Accessories

	For height adjusting element size d <sub>2</sub> [mm]	Dimensions of sickle spanner DIN 1810, form A [mm]	[g]	Art. No.
<b>sickle spanner for vertical adjustment</b>				
	25	25 – 28	45	<a href="#">25120.0981</a>
	32	30 – 32	46	<a href="#">25120.0982</a>
	45	45 – 50	156	<a href="#">25120.0983</a>
	58	58 – 62	250	<a href="#">25120.0984</a>
	70	68 – 75	253	<a href="#">25120.0985</a>

Application example



Compliance

For detailed compliance information please select the desired article number.