

Rubber Endstop Buffers · parabolic

EH 25150.



Product Description

To be used as an elastic end-stop.
Due to the parabolic form the absorption is first soft and raises progressively.
The hardness is $55 \pm 5^\circ$ shore A. Further shore hardnesses ($40 \pm 5^\circ$ shore A and $70 \pm 5^\circ$ shore A) on request.

Material

Support washer

- Steel, zinc-plated, blue chromated

Threaded bushing

- Steel, zinc-plated, blue chromated

Body

- Rubber natural caoutchouc (NR), black

Screw

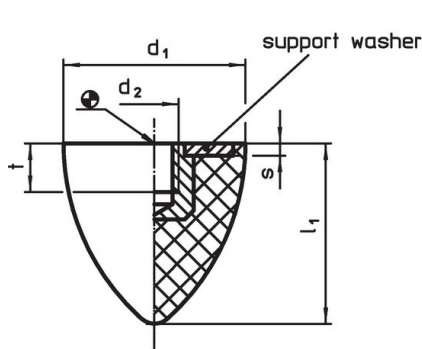
- Steel, zinc-plated, blue chromated

More information

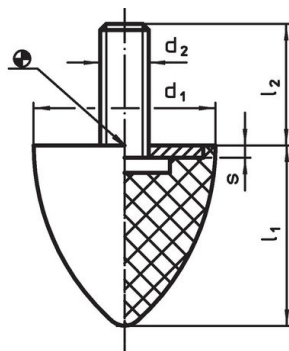
Further products

- Support Legs, impact cushioning

Drawing



picture 1



picture 2

Order information

Dimensions						Average spring range ~ [N/mm]	Load capacity max. [N]	Spring range ~ [mm]	Temperature		Weight [g]	Art. No.
d ₁ ±1.5	l ₁ ±1.5	d ₂	l ₂	s	t				min.	max.		
[mm]									[°C]			
with female thread – picture 1												
20	24	M 6	–	2	5.0	16.6	100	6.00	-30	80	8.5	25150.0522
30	30	M 8	–	2	6.5	24.0	150	6.25	-30	80	23.0	25150.0532
30	36	M 8	–	2	6.5	26.6	200	7.50	-30	80	30.0	25150.0533
35	40	M 8	–	2	6.5	65.0	650	10.00	-30	80	40.0	25150.0537
50	61	M 8	–	2	6.5	50.0	750	15.00	-30	80	110.0	25150.0552
50	68	M10	–	2	7.0	50.0	850	17.00	-30	80	120.0	25150.0553
with screw – picture 2												
20	24	M 6	18	2	–	16.6	100	6.00	-30	80	11.0	25150.0622
30	30	M 8	18	2	–	24.0	150	6.25	-30	80	29.0	25150.0632
30	36	M 8	20	2	–	26.6	200	7.50	-30	80	33.0	25150.0633
35	40	M 8	23	2	–	65.0	650	10.00	-30	80	45.0	25150.0637
50	61	M 8	28	2	–	50.0	750	15.00	-30	80	114.0	25150.0652
50	68	M10	28	2	–	50.0	850	17.00	-30	80	136.0	25150.0653

Application example



Compliance

RoHS compliant

Contains lead - compliant according to exceptions 6a / 6b / 6c.

Contains SVHC substances >0,1% w/w

Contains lead - SVHC list [REACH] as of 27.06.2024.

Contains Proposition 65 substances



Lead can cause cancer and reproductive harm from exposure
<https://www.P65Warnings.ca.gov/>

Free from Conflict Minerals

This product does not contain any substances designated as "conflict minerals" such as tantalum, tin, gold or tungsten from the Democratic Republic of Congo or adjacent countries.